



FiltoClear 3000/4000/8000

Operating instructions
Notice d'emploi
Instrucciones de uso



Unit configuration

REMINDER
CALL 1-888-627-3435
BEFORE RETURNING TO STORE.

Information about these operating instructions

Welcome to OASE Living Water. You made a great choice with the purchase of this product **FiltoClear 3000 / 4000 / 8000**. Prior to operating the unit, please read the instructions of use carefully and fully familiarise yourself with the unit. Ensure that all work on and with this unit is only carried out in accordance with these instructions. Please strictly follow the enclosed instructions to ensure safe and correct handling of the product. Keep these instructions in a safe place. Please also hand over the instructions when passing the unit on to a new owner.

WARNINGS AND CAUTIONS SYMBOLS

Symbols used in these instructions

The symbols used in this operating manual have the following meanings:

Risk of injury to persons due to dangerous electrical voltage.
This symbol indicates an imminent danger, which can lead to death or severe injuries if the appropriate measures are not taken.

Risk of personal injury caused by a general source of danger.
This symbol indicates an imminent danger, which can lead to death or severe injuries if the appropriate measures are not taken.

Risk of injury to persons due to broken glass.
This symbol indicates danger, which can lead to severe injuries if the appropriate measures are not taken.

Important information for trouble-free operation.

Intended use

FiltoClear 3000 / 4000 / 8000, referred to in the following as “unit”, may only be used as specified in the following:

- For mechanical and biological cleaning of garden ponds
- Operation under observance of the technical data.

The UVC lamp installed in the unit is intended to kill algae and bacteria in the pond water. Even in small doses, its radiation is harmful for eyes and skin. Never use the UVC lamp in a defective housing or outside the housing, or any other purpose other than that intended.

The following restrictions apply to the unit:

- Never use the unit to filter fluids other than water.
- Never run the unit without water.
- Do not use for commercial or industrial purposes.
- Do not use in conjunction with chemicals, foodstuff, easily flammable or explosive substances.

Important! Ensure that the filter will not overflow. Danger of emptying the pond.

Use other than that intended

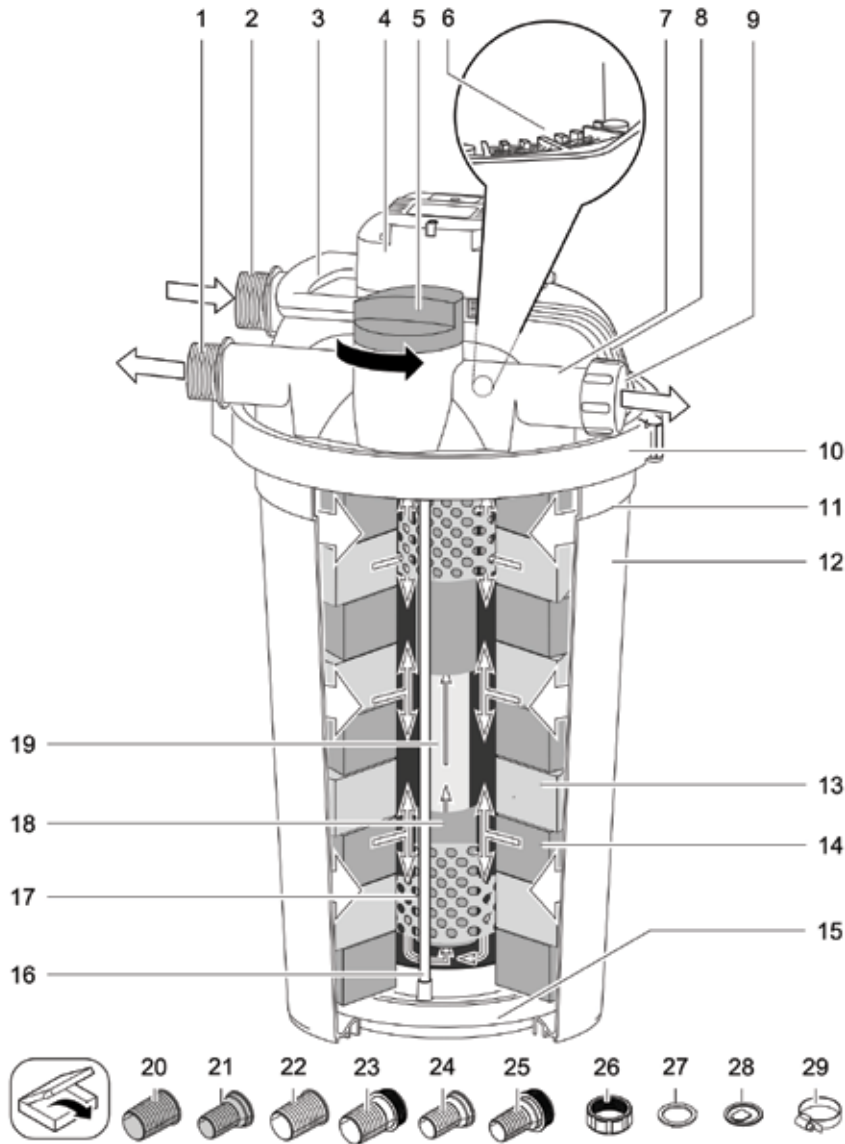
This unit can be dangerous and cause harm if not used in accordance with these instructions. Any use not in accordance with these instructions or modification(s) to the unit will void the limited warranty.

Part	Description	
1		Water return socket, for the return of filtered pond water
2		Water inlet socket, for the inlet of soiled pond water
3	Cleaning handle, the foam filters are compressed by pulling the handle up	
4	UVC unit head with temperature monitor, holder and control window for UVC lamp. The UVC lamp switches off automatically when overheated and on again once cooled down.	
5	Function switch to change the water flow. Turn counter-clockwise. 3 positions are available.	
		I: Water filtering and UV
		II: Foam cleaning (“Easy-Clean Technology”)
		III: Flushing the UVC unit and the UVC water housing
6	Bypass, optimises the UVC radiation effect at a high flow rate	
7		Soiled water drain socket, to drain the soiled water
8	Filter lid	
9	Cover cap, with black flat sealing ring inserted	
10	Clamping ring to hold filter lid and container together	
11	Step, marking the maximum installation depth	
12	Container, pressurised when the unit is in operation (max. 2.9 psi / 0,2 bar)	
13	Fine foam filter for nitrification and denitrification	
14	Coarse foam filter for nitrification	
15	Fixing disk, holding foam filters on cleaning rods	
16	Cleaning rod, connecting cleaning handle and filter disk	
17	Meshed tube, maintaining the foam filter spacing to the UVC water housing	
18	UVC water housing, conveying water to the UVC unit	
19	Quartz glass tube with UVC lamp	
20	2" transparent hose connector	
21	1-1/2" transparent hose connector	
22	2" black hose connector	
23	2" black hose connector	
24	1-1/2" black hose connector	
25	1-1/2" hose connector with 2" thread	
26	union nut	
27	flat sealing ring	
28	flow indicator flap	
29	hose clamp	

Questions, problems, missing parts?

Before returning to your retailer, call us at 1-866-627-3435, 8 a.m.-6 p.m., EST, Monday-Friday, or email us at customer-care@oase-livingwater.com. Or visit our website at www.oase-livingwater.com

Unit configuration

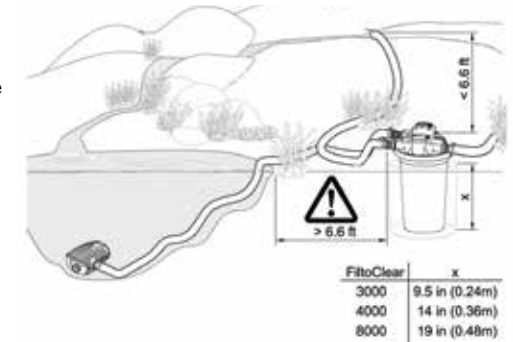


Function description

Cleaning stage “filtering”: The water flows through the foam filters. Mechanical soiling is retained by the foam filters. Suspended matter and bio sludge settle on the container bottom. Useful bacteria settle on the foam filters, cleaning the water biologically. Their effect starts at a water temperature of 50 °F (+ 10 °C).

Function description

A filter pump presses the water into a pressure-tight container, where it passes several cleaning stages before returned into the pond. The soiled water resulting from cleaning the unit can be used to fertilize the garden.



Coarse foam filters (blue)	Fine foam filters (red)
high flow rate	low flow rate
Bacteria for nitrification	Bacteria for nitrification and denitrification
Ammonia -> nitrite -> nitrate reaction	Nitrate -> nitrogen reaction

Cleaning stage “radiation”: The water is radiated with the ultra-violet light from a UV-C lamp. Green algae die, pathogenic agents are killed.

Bypass: A bypass ensures that only part of the returning water (approx. 25 %) is radiated. In this manner a sufficient radiation duration is obtained even at a high circulation rate.

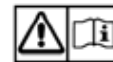
Filter starter: The unit only reaches its full biological cleaning effect after a few weeks. The formation of a bacterial community on the foam filters can be notably accelerated by adding a filter starting bacteria product (not included).

OASE recommends:

- as a reference value for the fish population in the pond: approx. 2 ft (60 cm) fish length in 260 gal (1 m3) pond water.
- as a pond pump for FiltoClear 3000: pump max. 2100 GPH (8000 l/h).
- as a pond pump for FiltoClear 4000: pump max. 2600 GPH (10000 l/h).
- as a pond pump for FiltoClear 8000: pump max. 4200 GPH (16000 l/h)

Symbols on the unit

The warning symbols on the unit have the following meaning:



Risk of personal injury if used incorrectly.
Incorrect use of the unit can cause injury or damage to assets. Always read the instructions for use first.



Risk of personal injury caused by a general source of danger.
Dangerous UVC radiation. Health hazard for eyes and skin caused by light flash. Only operate the UV-Clamp inside the housing.

The symbols on the unit relating to its use have the following meaning:



IP 24 Protected against touching dangerous components. Splash water protected.



Protect from direct sun radiation.



Dismantle at temperatures of 32°F and below

Questions, problems, missing parts?

Before returning to your retailer, call us at 1-866-627-3435, 8 a.m.-6 p.m., EST, Monday-Friday, or email us at customer-care@oase-livingwater.com. Or visit our website at www.oase-livingwater.com

Installation

- Spacing between unit and water: min. 6.6 ft (2 m) (safety spacing!).
- Do not expose the unit to direct sun radiation.
- Water return point. OASE recommend: Route the return hose such that the clean water is indirectly returned to the pond, e.g. through a waterfall. In this manner it will be additionally enriched with oxygen.
- Height difference between filter lid and water return point: max. 6.6 ft (2 m).

Installation possibility 1: Bury close to the pond.

Dig a hole close to the pond and place the container into the hole up to the mark. (See **Function description** diagram)

Installation possibility 2: Placement close to the pond.

Place the unit close to the pond where it is flood protected (e.g. hidden behind shrubs). The ground must be firm and level.

Connecting a filter pump

A filter pump is required to operate the pressure filter. Only connect to the pump by means of pressure hoses approved for at least 2.9 psi (0.2 bar) or the maximum pump pressure.

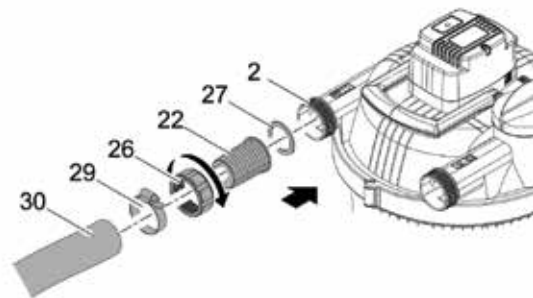
Hoses with an internal diameter of 1 1/2" or 2" can be connected to the unit.

Installation

1 1/2" hoses or 2" hoses can be connected to the unit. The respective hose connectors are part of our scope of delivery. Recommendation: Use 2" hoses to convey the water through the lines at a minimum pressure loss. If you use a filter starter, fill the product into the container prior to carrying out the following installation steps (See Commissioning/Start-up).

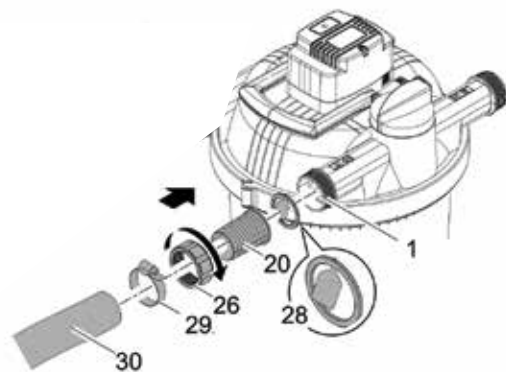
Fitting the water inlet

- Push the union nut (26) over the black hose connector (22).
- Insert the flat sealing ring (27) in the union nut (26).
- Screw tighten the hose connector to the water inlet socket (2) using the union nut.
- Push the hose clamp (29) over the hose (30).
- Push the hose over the hose connector (up to the stop) and secure using the hose clamp.



Fitting the water return

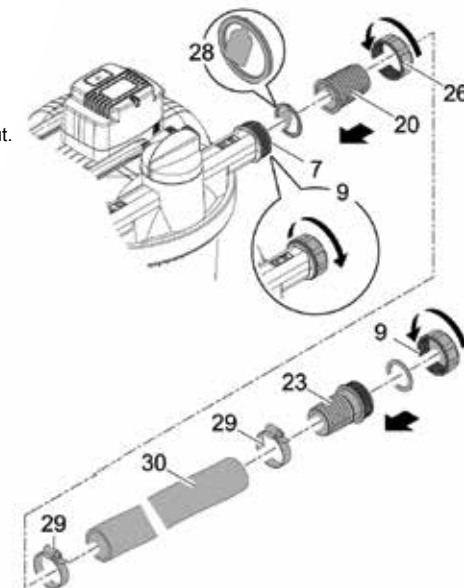
- Push the union nut (26) over the transparent hose connector (20).
- Place the flow indicator flap (28) into the union nut.
- Screw tighten the hose connector to the water return socket (1) using the union nut.
- Push the hose clamp (29) over the hose (30).
- Push the hose over the hose connector and secure with the hose clamp. Leave the last segment free for use as a window to control flow and soiling. (As shown)



Fitting the soiled water drain

The soiled water resulting from cleaning the unit can be used for fertilisation purposes. Recommendation: Connect and route a drain hose (not included in our scope of delivery) up to a suitable point (e.g. plant bed)

- Unscrew the cover cap (9) from the soiled water drain socket (7).
- Push the union nut (26) over the transparent hose connector (20).
- Place the flow indicator flap (28) into the union nut.
- Screw tighten the hose connector to the socket using the union nut.
- Push the hose clamp (29) over the hose (30).
- Push the hose over the hose connector and secure with the hose clamp. Leave the last segment free for use as a window to control flow and soiling.



Closing the soiled water drain



Note!

During filter operation, ensure that the soiled water socket (7) or a drain hose (30) connected to it is always closed with a cover cap (9) with the flat sealing ring inserted. This prevents unintended emptying of the pond.

- Push the hose clamp (29) over the hose (30).
- Push the hose connector (23) into the hose and secure with the hose clamp.
- Close the hose connector using the cover cap with the flat sealing ring (9) inserted.

Commissioning/Start-up

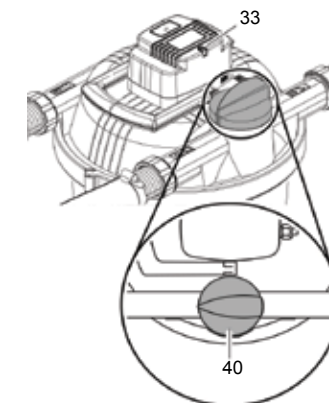


Attention! Sensitive electrical components.

Possible consequences: The unit will be destroyed.

Protective measures: Do not connect the unit to a dimmable power supply.

- Fit the connections (See **Installation**).
- Check the firm seating of hoses, cover cap for soiled water drain, clamping ring with safety latch.
- Turn the function switch to water filtering (40), if it is not already in this position.
- Switch on the pond pump.
- Only switch on the UVC unit when water is flowing through it. You may have to wait for 24 hours. Connect power plug to the socket. The UVC unit switches on immediately, the blue LED (33) is lit.



Questions, problems, missing parts?

Before returning to your retailer, call us at 1-866-627-3435, 8 a.m.-6 p.m., EST, Monday-Friday, or email us at customer-care@oase-livingwater.com. Or visit our website at www.oase-livingwater.com

Operation

The unit is no longer biologically active at water temperatures below 50 °F (10 °C). Take the unit out of operation at water temperatures below 46 °F (8 °C) or, at the latest, when freezing temperatures are to be expected.

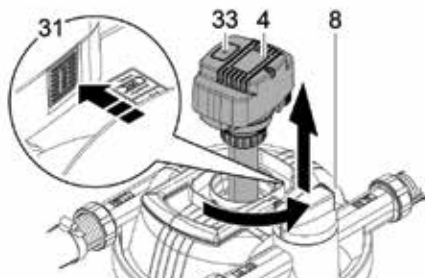
Normal operating condition: The UVC unit is switched on. The UV-C lamp must be replaced after approx. 8000 operating hours.

Maintenance and cleaning

- ⚠ Attention! Dangerous electrical voltage.**
Possible consequences: Death or serious injuries.
Protective measures: Switch off the mains voltage prior to carrying out work on the unit

Removing the UVC unit head

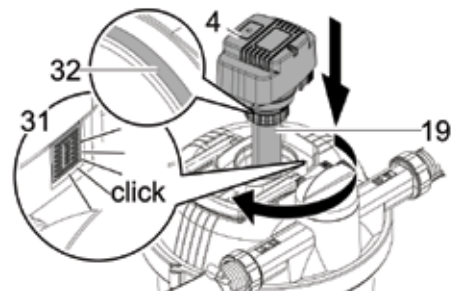
- Unplug UVC unit.
- Press the blue "Press" button (31) at the UVC unit head (4).
- Slightly turn the UVC unit head counter-clockwise.
- Carefully pull the UVC unit head out of the filter lid (8).



Inserting the UVC unit head

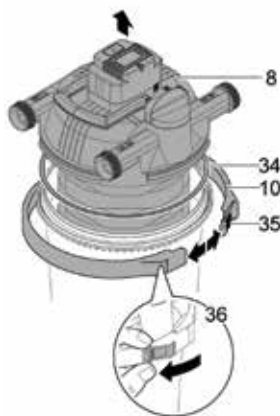
- i Note!**
 The O ring (32) on the closure of the UVC water housing (4) is firmly clamped on. Only remove the O ring when it must be replaced (e.g. when the O ring is porous).

- Carefully insert the UVC unit head (4) into the filter lid.
- Turn the UVC unit head clockwise up to the stop. The blue "Press" button engages (31).



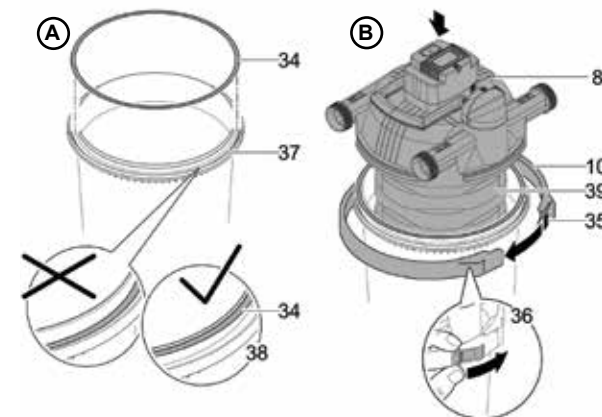
Opening the container

- Push back safety latch (36).
- Press the closing hook (35) inwards.
- Open and remove the clamping ring (10).



Closing the container

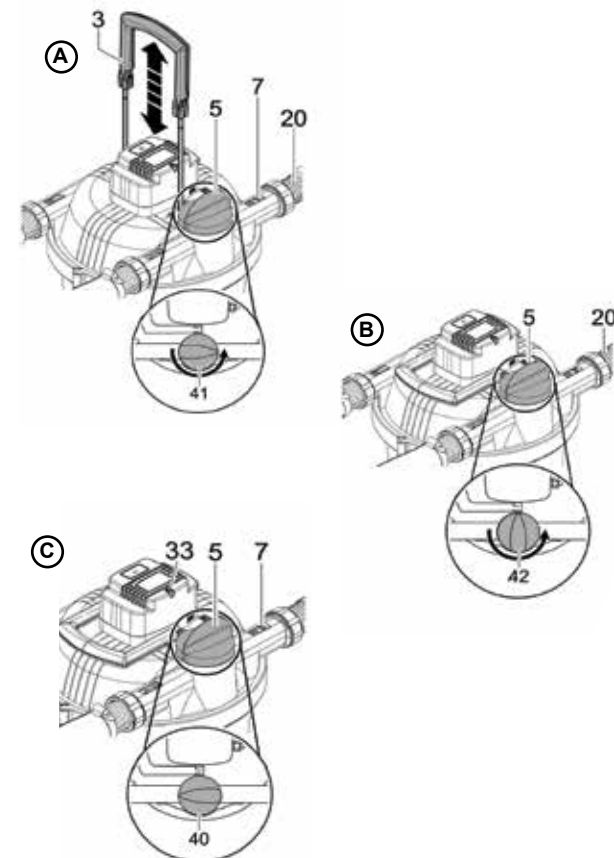
- A.** Clean the channel (37) around the container rim.
- Grease the lid sealing ring (34) and place flush around the container (38) top edge.
- B.** Press the filter lid (8) including the stack of foam filters on the container, if necessary, assist with your own body weight.
- Place the clamping ring (10) around the container top edge (do not pinch the power cable) and assemble.
 - Engage the closing hook (35).
 - Push in the safety latch (36).



Cleaning the foam filters

The Easy-Clean function (actuate the cleaning handle and flush with water) allows easy cleaning of foam filters, UVC unit and UVC water housing.

- A.** Remove the closing cap from the drain hose or the dirty water drain socket (7). Attention: Do not lose the sealing ring in the cap!
- Turn the function switch (5) counter-clockwise to "Cleaning foam filters" (41).
 - Vigorously pull up the cleaning handle (3) several times, then push the handle down against the stop ("pumping" action).
 - The foam filters will be rinsed by this action.
- B.** As soon as only clean water appears in the transparent hose connector (20), turn the function switch (5) counter-clockwise to "Cleaning UVC" (42).
- The UVC unit and the UVC water housing are flushed.
- C.** As soon as only clean water appears in the transparent hose connector (20), turn the function switch (5) counter-clockwise to "Filter water" (40).
- The unit filters the pond water.
 - Close the drain hose or the soiled water drain socket (7) using the closing cap (insert sealing ring!) (See **Installation**).



Questions, problems, missing parts?

Before returning to your retailer, call us at 1-866-627-3435, 8 a.m.-6 p.m., EST, Monday-Friday, or email us at customer@oase-livingwater.com. Or visit our website at www.oase-livingwater.com

Cleaning the quartz glass tube manually

- ⚠ Attention! Ultra-violet radiation.**
Possible consequences: Eye or skin injury from burns
Protective measures:
 - Never operate the UVC lamp outside its housing.
 - Never operate the UVC lamp in a housing that is defective

- ⚠ Danger:** Ultraviolet radiation.
Do not expose eyes to lamp rays.
Disconnect power before servicing or replacing lamp.
Warning: To reduce the risk of electric shock - Connect only to a circuit that is protected by a ground-fault circuit interrupter (GFCI)
For indoor and outdoor household use

- 🍷 Attention! Breakable glass**
Possible consequences: Injury to your hands caused by cuts
Protective measures: Handle the quartz glass and UVC lamp with care.

- Switch off the filter pump and UVC unit.
- Remove the UVC unit head (See **Cleaning and maintenance\Removing/inserting the UVC unit head**).
- Check the quartz glass tube and O ring for damage. Replace, if necessary.
- Clean the quartz glass tube externally using a moist cloth.
- Insert the UVC unit head (See **Cleaning and maintenance\Removing/inserting the UVC unit head**).
- Switch on the filter pump.
- Switch on the UVC unit.

- ⚠ Attention! Dangerous electrical voltage.**
Possible consequences: Death or serious injuries.
Protective measures: Switch off the mains voltage prior to carrying out work on the unit

Cleaning the unit and washing or replacing the foam filters

Wear of the foam filters is caused by mechanical stress and normal ageing. OASE recommend: Replace old foam filters with new ones at the beginning of the new season.

- Switch off the filter pump.
- A.** Remove all hoses, hose connections.

- Remove the UVC unit head (See **Cleaning and maintenance\Removing/inserting the UVC unit head**).

- Open the container (See **Cleaning and maintenance\Opening the container**).

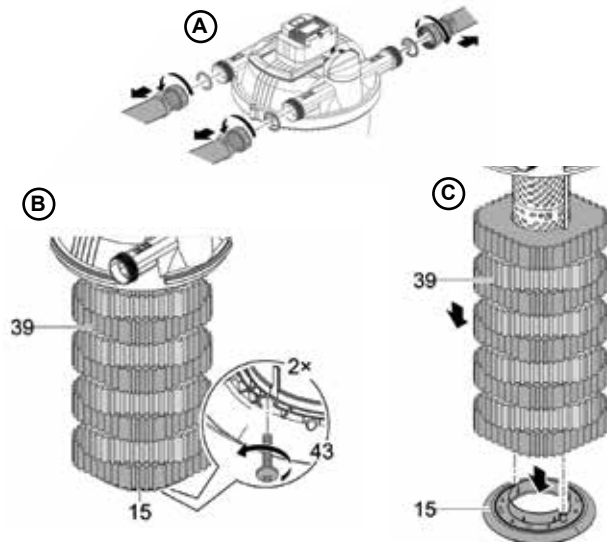
Disassembling the foam filters

- Check the foam filters, and either wash or replace.

- B.** Remove the filter disk (15) after loosening and removing the two screws (43).

- C.** Remove the lid including the stack of foam filters (39).

- Place the foam filters on a soft clean surface such that the fixing disk (15) of the stack of foam filters faces upward.



Cleaning the parts

(Refer to **Unit configuration**)

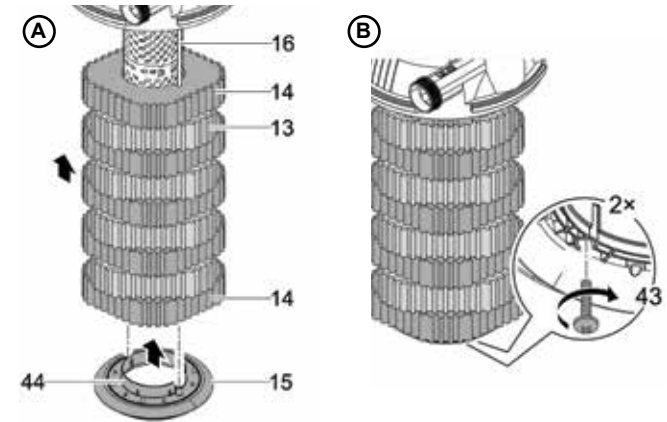
- Clean the container, clamping ring, lid (remove UVC unit head!) including UVC water housing and the meshed tube from all angles with a strong water jet.
- If necessary, wash the foam filters individually by vigorously compressing and releasing the filters under running water.

Assembling the foam filters

- A.** Alternately push the blue (14) and then the red (13) foam filter onto the cleaning rods (16), so that the cleaning rods rest in the two cut-outs.
 - Place the fixing disk (15) on the last foam filter such that the end collar (44) points to the foam filters.

- B.** Fasten the fixing disk on the cleaning rods using the two screws (43).

- Reinstall all connections (See **Installation**).



Replacing the UVC lamp

- ⚠ Attention! Ultra-violet radiation.**
Possible consequences: Eye or skin injury from burns
Protective measures:
 - Never operate the UVC lamp outside its housing.
 - Never operate the UVC lamp in a housing that is defective

- ⚠ Danger:** Ultraviolet radiation.
Do not expose eyes to lamp rays.
Disconnect power before servicing or replacing lamp.

Warning: To reduce the risk of electric shock - Connect only to a circuit that is protected by a ground-fault circuit interrupter (GFCI)

- 🍷 Attention! Breakable glass**
Possible consequences: Injury to your hands caused by cuts
Protective measures: Handle the quartz glass and UVC lamp with care.

- Note!**
 - Condensate forms in the quartz glass tube. This condensate cannot be avoided, however, it does not impair function and safety.

- The quartz glass tube can become scratched or blind over time. In this case, sufficient cleaning performance of the UVC lamp is no longer guaranteed. The quartz glass tube must be replaced.
- The UVC lamp must be replaced after approx. 8000 operating hours. Only use UVC lamps the designation and rating of which match the information on the type plate.

Questions, problems, missing parts?

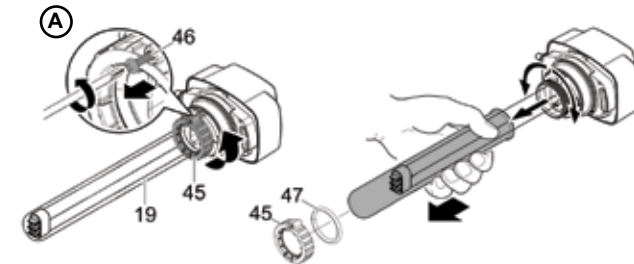
Before returning to your retailer, call us at 1-866-627-3435, 8 a.m.-6 p.m., EST, Monday-Friday, or email us at customer@oase-livingwater.com. Or visit our website at www.oase-livingwater.com

Replacing the UVC lamp

- Remove the UVC unit head (See **Removing/inserting the UVC unit head**).

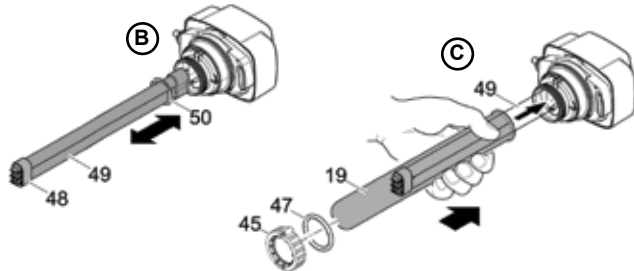
A. Clean the quartz glass tube (19) externally using a moist cloth.

- Undo the fastening screw (46) from the retaining ring (45), and unscrew the retaining ring.
- Remove the quartz glass tube including the O ring (47).



B. Pull the UVC lamp (49) out of the lamp base.

- Pull the transport securing elements (48 and 50) from the UVC lamp and push over the new UVC lamp.



- Insert the new UVC lamp.

C. Place the quartz glass tube (19) over the UVC lamp (49) again.

- Push the O ring (47) and the retaining ring (45) over the quartz glass tube.

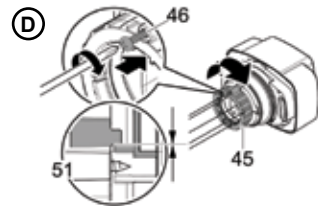
D. Tighten the retaining ring by turning it up against the stop (50).

- Tighten the fastening screw (46) for the retaining ring.

- Reinsert the UVC unit head (See **Removing/inserting the UVC unit head**).

- Switch on the pond pump.

- Connect the power plug of the UVC unit.



Storage/Winterization

- Disconnect power cord from UVC unit
- Disconnect hoses from inlet and outlet connections
- Empty/drain container by tipping unit on its side to let water drain out of inlet and outlet connection area
- If bypassing filter connect inlet and outlet hoses together to continue running pump in pond

Wear parts

The UVC lamp, the quartz glass and the foam filters are wear parts and are excluded from the warranty.

Disposal of UVC unit and UVC lamp

- Do not dispose of this unit with domestic waste! Disable the unit beforehand by cutting off the cables. Further information about the recycling of this product can be obtained from your local municipal authority.

Disposal of Packaging, Worn foam filters, sealing rings and Filter container

You may dispose of these components with domestic waste! Further information about the recycling of this product can be obtained from your local municipal authority.

Troubleshooting

Issue	Cause	Solution
No water flow through the return socket.	Filter pump not switched on.	Switch on the filter pump
	Supply lines blocked.	Check supply lines
	Function switch not turned to "Filter water"	Turn function switch to "Filter water"
UVC lamp display is not lit	Power supply of the UVC not connected or Connection defective	Check connection (power plug, power fuse)
	UVC lamp defective	Replace UVC lamp
	Quartz glass tube not fitted	Fit quartz glass tube
Filtering performance not satisfactory	Function switch not turned to "Filter water"	Turn function switch to "Filter water"
	Unit has not been in operation long enough	Wait a few days/weeks
	Water extremely soiled	Wait a few days/weeks
	Excessive fish and animal population	Adhere to the reference value
	Foam filters clogged	Clean foam filters
	Quartz glass tube soiled	Cleaning the quartz glass tube
	UVC lamp is in operation for more than 8000 hours	Replace UVC lamp

Spare parts

The use of original parts from OASE ensures continued safe and reliable operation of the unit. Please visit our website for spare parts drawings and spare parts. www.oase-livingwater.com

Questions, problems, missing parts?

Before returning to your retailer, call us at 1-866-627-3435, 8 a.m.-6 p.m., EST, Monday-Friday, or email us at customer@oase-livingwater.com. Or visit our website at www.oase-livingwater.com

RAPPEL





APPELEZ LE 1-866-627-3435
AVANT DE RETOURNER AU MAGASIN.

Informations sur le mode d'emploi

Bienvenue à OASE Living Water. L'achat de votre **FiltoClear 3000 / 4000 / 8000** constitue un excellent choix. Avant d'utiliser la pompe, lisez les instructions attentivement et familiarisez-vous parfaitement avec l'appareil. Assurez-vous que tout travail effectué sur cet appareil et toute utilisation sont conformes aux instructions qui suivent. Suivez ces instructions à la lettre afin de vous assurer d'une maintenance de l'appareil adéquate et sans risque. Conservez ces instructions dans un endroit sûr et remettez-les au nouveau propriétaire si vous transmettez l'appareil.

▲ PICTOGRAMMES DE PRÉCAUTIONS ET MISES EN GARDE**Pictogrammes utilisés dans ces instructions**

Les pictogrammes utilisés dans ce manuel d'utilisation ont les significations suivantes :

-  **Risque de blessures aux personnes en raison de la tension électrique dangereuse.**
Ce pictogramme indique un danger imminent pouvant entraîner la mort ou des blessures graves si les mesures appropriées ne sont pas prises.
-  **Risque de blessures aux personnes en raison d'un danger d'ordre général.**
Ce pictogramme indique un danger imminent pouvant entraîner la mort ou des blessures graves si les mesures appropriées ne sont pas prises.
-  **Risque de blessure aux personnes en raison de bris de verre.**
Ce symbole indique un danger-pouvant entraîner de graves blessures si les mesures appropriées ne sont pas prises.
-  Renseignements importants pour un bon fonctionnement.

Utilisation conforme à la finalité


FiltoClear 3000 / 4000 / 8000, désignés ciaprès comme « l'appareil », peuvent être utilisés seulement comme indiqué dans les points suivants :

- Pour le nettoyage mécanique et biologique d'étangs/bassins de jardin
- Exploitation dans le respect des données techniques.

La lampe UVC intégrée dans l'appareil sert à détruire les algues et les bactéries se trouvant dans l'eau du bassin/de l'étang. Son rayonnement est dangereux pour les yeux et la peau, même à faibles doses. La lampe UVC ne doit jamais être utilisée dans un boîtier défectueux, ni en dehors de son boîtier, ni à d'autres fins que celles prévues par sa finalité.

Les restrictions suivantes sont valables pour l'appareil :



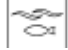



- Ne jamais filtrer d'autres liquides que l'eau.
- Ne jamais utiliser sans débit d'eau.
- Ne pas utiliser à des fins commerciales ou industrielles.
- Ne pas utiliser en relation avec des produits chimiques, des produits alimentaires, des matériaux facilement inflammables ou explosifs.

 **Important!** Le filtre ne doit jamais déborder, en aucun cas. Risque de vidange de l'étang/bassin.

Utilisation non conforme

Cet appareil peut être dangereux et causer des dommages s'il n'est pas utilisé conformément aux instructions qui suivent. Toute utilisation non conforme à ces instructions ou toute modification à l'appareil annulera la garantie.

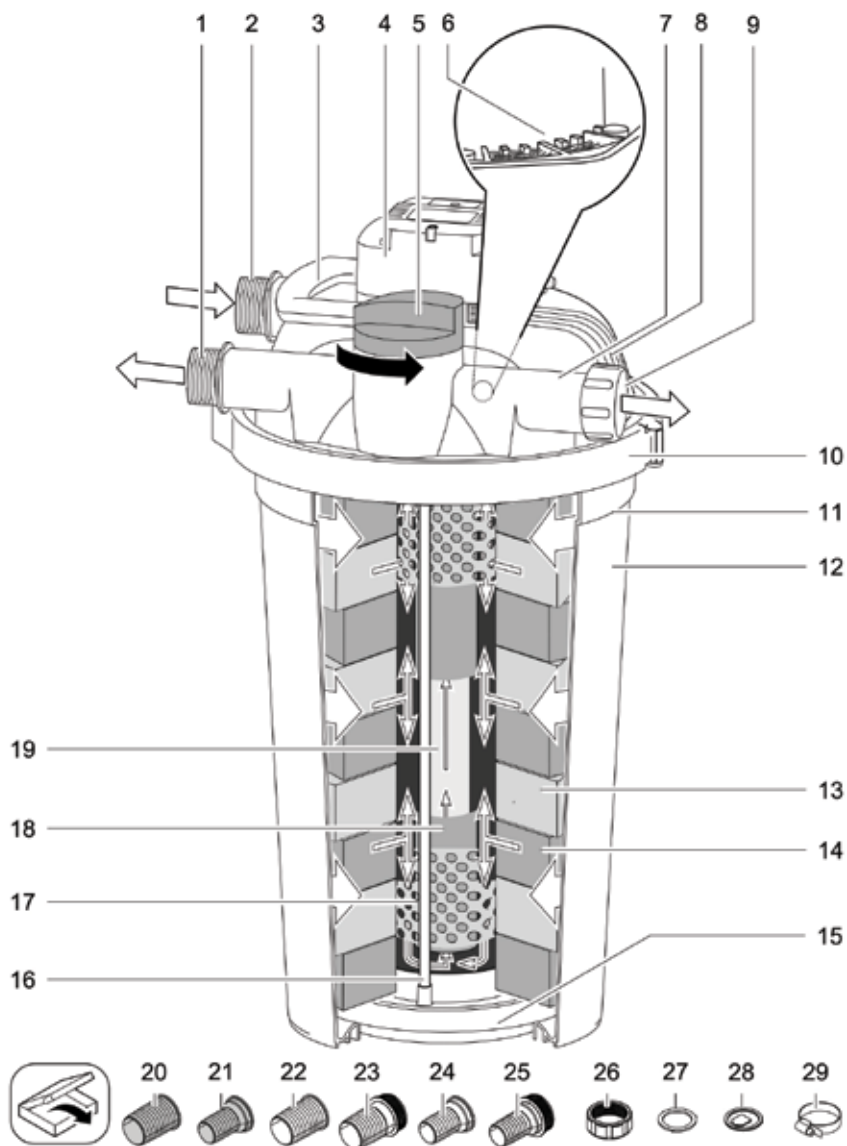
Structure de l'appareil

Pièce	Description	
1		Manchon de reflux d'eau, pour le reflux de l'eau de bassin épurée
2		Manchon d'entrée d'eau, pour l'entrée d'eau de bassin encrassée
3		Poignée de nettoyage, le déplacement vers le haut permet d'exercer une pression sur les éponges filtrantes pour les dégorger
4		Tête d'appareil UVC avec contrôle de température, support et fenêtre de contrôle pour la lampe UVC. Mise hors circuit automatique de la lampe UVC en cas de surchauffe, remise en circuit après le refroidissement.
5		I: Filtrer l'eau et UV
		II: Nettoyer les éponges („technologie Easy-Clean“)
		III: Rincer l'appareil UVC et le carter d'eau UVC
6		By-pass, permettant d'optimiser les effets de l'exposition aux rayons UVC en cas de débit élevé
7		Manchon d'écoulement d'eau sale, pour l'écoulement de l'eau sale
8		Couvercle du filtre
9		Bouchon de fermeture avec joint plat noir intégré
10		Anneau de serrage, permettant de maintenir ensemble le couvercle du filtre et le récipient
11		Niveau, pour marquer la profondeur maximale de montage
12		Récipient, sous pression (max. 2.9 psi / 0,2 bars) en exploitation
13		Éponge filtrante fine pour la nitrification et la dénitrification
14		Éponge filtrante grossière pour la nitrification
15		Disque de fixation, maintient les éponges filtrantes sur les tiges de nettoyage
16		Tige de nettoyage, relie la poignée de nettoyage au disque de filtration
17		Tube grillagé, maintient un écart entre les éponges filtrantes et le carter d'eau UVC
18		Carter d'eau UVC, conduit l'eau vers l'appareil UVC
19		Tube en verre à quartz avec lampe UVC
20		50 mm Raccord de tuyau transparent
21		38 mm Raccord de tuyau transparent
22		50 mm Raccord de tuyau noir
23		50 mm Raccord de tuyau noir
24		38 mm Raccord de tuyau noir
25		38 mm Raccord de tuyau avec filetage de 50 mm
26		Contre-écrou
27		Joint plat
28		L'indicateur de débit
29		Collier de serrage

Questions, problèmes, pièces manquantes ?

Avant de retourner chez votre détaillant, appelez au 1 866 627-3435, entre 8 h et 18 h, heure de l'Est, ou encore envoyez-nous un courriel à l'adresse customer-care@oase-livingwater.com. Vous pouvez aussi consulter notre site web au www.oase-livingwater.com

Structure de l'appareil

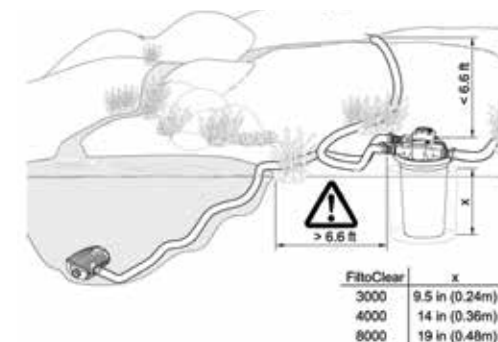


Description des fonctions

Niveau de nettoyage "Filtrage" : l'eau passe par les éponges filtrantes. Les encrassements mécaniques sont retenus par les éponges filtrantes. Les substances en suspension et la vase biologique se déposent au fond du récipient. Des bactéries utiles s'installent sur les éponges filtrantes et assurent une épuration biologique de l'eau. Elles commencent à agir à partir d'une température de l'eau de 50 °F (+ 10 °C).

Description des fonctions

Une pompe de filtration refoule l'eau dans un récipient résistant à la pression dans lequel elle passe par différents niveaux d'épuration pour être ensuite reconduite dans le bassin/l'étang. L'eau sale qui résulte du nettoyage de l'appareil peut servir d'engrais pour le jardin.



Éponges filtrantes grossières (bleu)	Éponges filtrantes fines (rouge)
Vitesse de flux élevée	Vitesse de flux basse
Bactéries pour la nitrification	Bactéries pour la nitrification et la dénitrification
Transformation ammonium -> nitrite -> nitrate	Transformation nitrate -> azote

Niveau d'épuration "Irradiation" : l'eau est irradiée par la lumière ultraviolette d'une lampe UV-C. Les algues en suspension périssent, les agents pathogènes sont détruits.

By-pass : un by-pass sert à limiter la quantité d'eau de reflux (à env. 25 %), ce qui permet d'atteindre une durée d'irradiation suffisante même en présence d'un taux de refoulement élevé.

Starter de filtre : L'appareil n'atteint sa pleine capacité d'épuration biologique qu'après quelques semaines. Il est possible d'accélérer considérablement l'implantation de bactéries filtrantes sur les éponges filtrantes en ajoutant un produit bactérien de départ pour la filtration (non inclus).

Les conseils de OASE :

- Valeur de référence pour le nombre de poissons dans l'étang/le bassin : env. 60 cm de longueur de poisson pour 1 m³ d'eau de bassin/d'étang.
- Pompe de bassin/étang pour FiltoClear 3000 : pompe max. 8000 l/h
- Pompe de bassin/étang pour FiltoClear 4000 : pompe max. 10000 l/h
- Pompe de bassin/étang pour FiltoClear 8000 : pompe max. 16000 l/h

Symboles sur l'appareil

Les symboles d'avertissement se trouvant sur l'appareil ont les significations suivantes :



Danger de dommages de personnes dus à une utilisation incorrecte

Une utilisation incorrecte de l'appareil peut entraîner des dommages corporels et financiers. Toujours lire les instructions de service en premier lieu.



Risque de dommages aux personnes dus à une source de danger générale

Rayonnement UV-C dangereux. Danger pour les yeux et pour la peau par éblouissement. N'exploiter la lampe UV-C que dans le carter.

Les symboles d'utilisation se trouvant sur l'appareil ont les significations suivantes :

IP 24

Protection contre le contact avec des pièces dangereuses. Protection contre la projection d'eau.



Protéger contre les rayons directs du soleil.



Désinstaller en cas de gel.

Questions, problèmes, pièces manquantes ?

Avant de retourner chez votre détaillant, appelez au 1 866 627-3435, entre 8 h et 18 h, heure de l'Est, ou encore envoyez-nous un courriel à l'adresse customer-care@oase-livingwater.com. Vous pouvez aussi consulter notre site web au www.oase-livingwater.com

Mise en place

- Distance entre l'appareil et l'eau : 2 m min. (écart de sécurité !).
- Ne pas exposer l'appareil aux rayons directs du soleil.
- Point de reflux de l'eau. Les conseils de OASE : Poser le tuyau de reflux de manière à ce que l'eau épurée soit reconduite indirectement, p.ex. par le biais d'un cours d'eau, dans le bassin/l'étang. Elle pourra ainsi être enrichie en oxygène.
- Différence de hauteur entre le couvercle du filtre et le point de reflux de l'eau : 2 m max.

Possibilité de mise en place 1 : enterrer dans les environs du bassin/de l'étang.

Creuser un trou près du bassin/de l'étang dans lequel vous placez le récipient jusqu'à la marque. ((Voir le diagramme de description de fonction))

Possibilité de mise en place 2 : mettre en place près du bassin/de l'étang.

Placer l'appareil près de l'étang/du bassin à l'abri des inondations (p.ex. caché derrière des buissons). La surface de base doit être stable et plate.

Raccordement d'une pompe de filtration

Une pompe de filtration est nécessaire pour l'exploitation du filtre de pression. Le raccordement à la pompe ne peut être effectué qu'avec des tuyaux résistant à la pression, qui sont autorisés pour une pression d'au moins 2.9 psi (0.2 bars) ou bien pour la pression maximale de la pompe.

Des tuyaux ayant un diamètre intérieur de 38 mm ou 50 mm peuvent être raccordés à l'appareil.

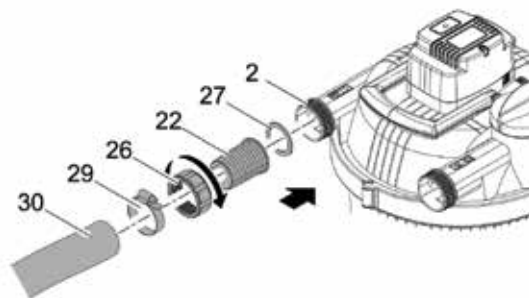
Montage

Vous pouvez raccorder des tuyaux de 38 mm ou de 50 mm à l'appareil. Les embouts de tuyau correspondants font partie de la livraison. Recommandation : utiliser des tuyaux de 2" pour transporter l'eau dans des conduites avec une perte de pression minimale.

Au cas où vous utilisez un starter de filtre, l'installer dans le récipient avant les étapes de montage suivantes (Voir **Mise en service**).

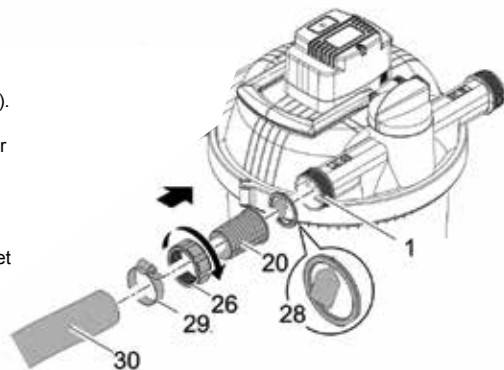
Montage de l'entrée d'eau

- glisser le contre-écrou (26) sur l'embout de tuyau noir (22).
- Insérer le joint plat (27) dans le contre-écrou (26).
- Visser fermement l'embout de tuyau avec le contre-écrou sur le manchon d'entrée d'eau (2).
- Faire glisser le collier de serrage (29) sur le tuyau (30).
- Faire glisser le tuyau sur l'embout de tuyau (jusqu'à la butée) et fixer avec le collier de serrage.



Montage du reflux d'eau

- glisser le contre-écrou (26) sur l'embout de tuyau clair (20).
- Insérer l'indicateur de débit (28) dans le contre-écrou.
- Visser fermement l'embout de tuyau avec le contre-écrou sur le manchon de reflux d'eau (1).
- Faire glisser le collier de serrage (29) sur le tuyau (30).
- Faire glisser le tuyau sur l'embout de tuyau et fixer avec le collier de serrage. Ne pas recouvrir le dernier segment pour qu'il puisse servir de fenêtre de contrôle pour le flux et l'encrassement.



Montage de l'écoulement d'eau sale

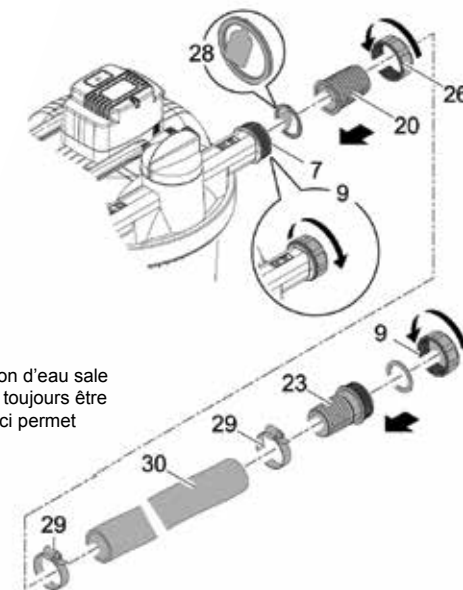
Vous pouvez utiliser l'eau sale qui résulte du nettoyage de l'appareil comme engrais. Recommandation : Raccorder un tuyau d'écoulement (ne faisant pas partie de la livraison), le poser jusqu'à un endroit approprié (p.ex. un parterre). Voici comment procéder :

- Dévisser le bouchon de fermeture (9) du manchon d'écoulement d'eau sale (7).
- Glisser le contre-écrou (26) sur l'embout de tuyau clair (20).
- Insérer l'indicateur de débit (28) dans le contre-écrou.
- Visser fermement l'embout de tuyau avec le contre-écrou sur le manchon.
- Faire glisser le collier de serrage (29) sur le tuyau (30).
- Faire glisser le tuyau sur l'embout de tuyau et fixer avec le collier de serrage. Ne pas recouvrir le dernier segment pour qu'il puisse servir de fenêtre de contrôle pour le flux et l'encrassement.

Obturation de l'écoulement d'eau sale

Remarque !
Lorsque l'appareil est utilisé en mode de filtration, le manchon d'eau sale (7) ou le tuyau d'écoulement (30) qui y est raccordé doivent toujours être fermés par un bouchon (9) équipé d'un joint plat intégré. Ceci permet d'éviter une vidange par inadvertance du bassin/de l'étang.

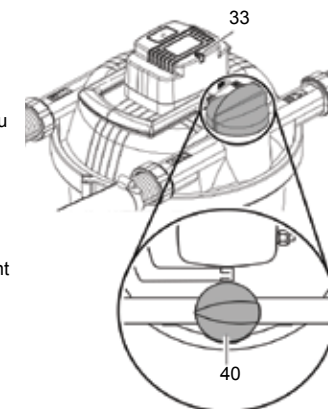
- Faire glisser le collier de serrage (29) sur le tuyau (30).
- Faire glisser l'embout de tuyau (23) dans le tuyau et le fixer avec un collier de serrage.
- Obturer l'embout de tuyau avec un bouchon équipé d'un joint plat intégré (9).



Mise en service

⚠ Attention ! Composants électriques fragiles. .
Conséquence éventuelle : l'appareil est détruit.
Mesure de protection : raccorder l'appareil à une alimentation en courant avec variateur.

- Monter les raccords (Voir **Montage**).
- Contrôler la bonne fixation des tuyaux, du bouchon de fermeture pour l'écoulement de l'eau sale, de l'anneau de serrage avec verrou de blocage.
- Placer le commutateur de fonction le cas échéant sur filtrage de l'eau (40).
- Mettre la pompe de bassin en circuit.
- Ne mettre l'appareil UVC en circuit que si l'appareil est complètement rempli d'eau. Le cas échéant, attendre 24 heures. Brancher la prise de secteur dans la prise de courant. L'appareil UVC se met en service immédiatement, la diode LED bleue (33) s'allume.



Questions, problèmes, pièces manquantes ?

Avant de retourner chez votre détaillant, appelez au 1 866 627-3435, entre 8 h et 18 h, heure de l'Est, ou encore envoyez-nous un courriel à l'adresse customer-care@oase-livingwater.com. Vous pouvez aussi consulter notre site web au www.oase-livingwater.com

Exploitation

L'appareil n'est plus actif biologiquement en présence de températures inférieures à 50 °F (10 °C). Mettre l'appareil hors service si la température de l'eau est inférieure à 46 °F (8 °C), ou en cas de risque de gel.

État d'exploitation normal : l'appareil UVC est en circuit. La lampe UVC doit être remplacée après env. 8000 heures de service.

Nettoyage et entretien

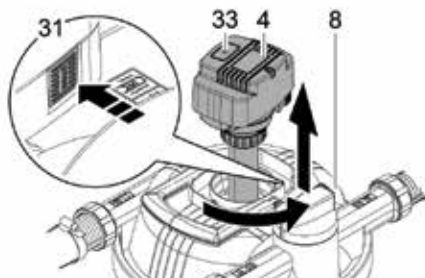
⚠ Attention ! Tension électrique dangereuse !

Conséquences éventuelles : mort ou blessures graves.

Mesures de protection : Avant d'exécuter des travaux sur l'appareil, couper la tension du secteur.

Retrait de la tête de l'appareil UVC

- Débranchez l'appareil UVC
- Appuyer, sur la tête de l'appareil UVC (4), sur la touche bleue "Press" (31).
- Tourner légèrement la tête de l'appareil UVC dans le sens anti-horaire.
- Sortir avec précaution la tête de l'appareil UVC du couvercle du filtre (8).

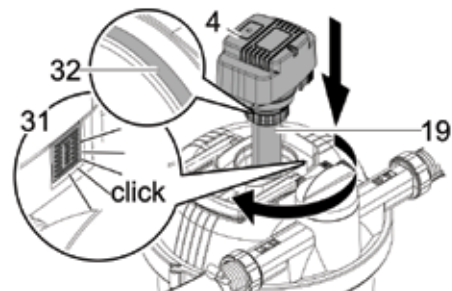


Mise en place de la tête de l'appareil UVC

ⓘ Remarque !

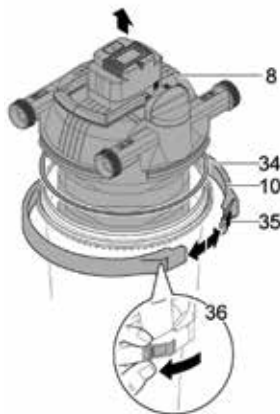
Le joint torique (32) au niveau de la fermeture du carter d'eau UVC (4) est serré fixement. Ne retirer le joint torique que s'il doit être remplacé (le joint torique est p.ex. poreux).

- Insérer avec précaution la tête de l'appareil UVC (4) dans le couvercle du filtre.
- Tourner la tête de l'appareil UVC dans le sens horaire jusqu'à la butée. La touche bleue "Press" s'emboîte (31).



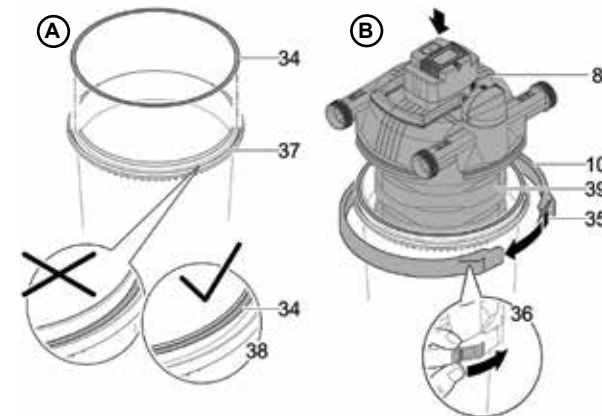
Ouverture du récipient

- Remettre en place le verrou de blocage en le faisant coulisser (36).
- Exercer une pression vers l'intérieur sur le crochet de fermeture (35).
- Ouvrir et retirer la bague de serrage (10).



Fermeture du récipient

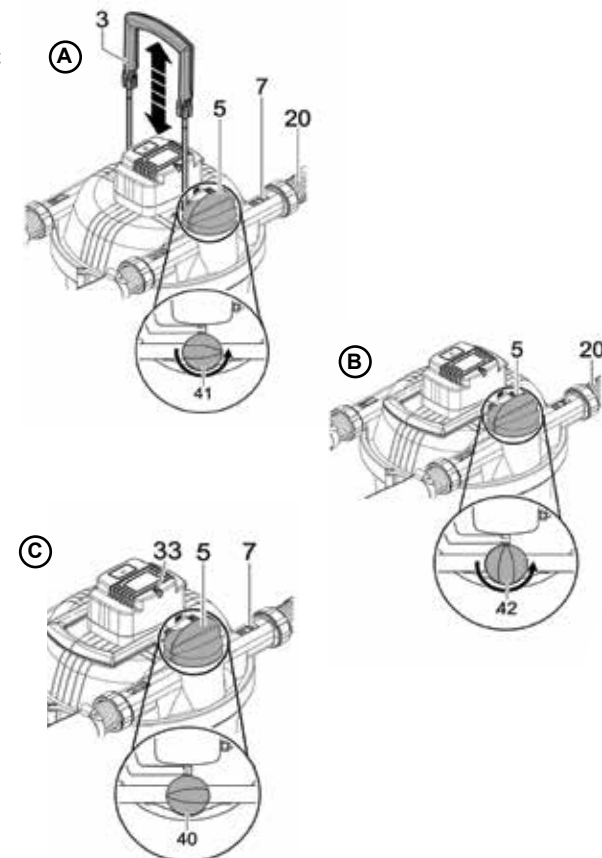
- Nettoyer la rigole (37) autour du bord du récipient.
 - Graisser le joint du couvercle (34) et le poser à fleur autour du bord supérieur du récipient (38).
- Placer le couvercle du filtre (8) équipé des mousses filtrantes (39) en exerçant une pression, le cas échéant utiliser le poids de votre corps.
 - Placer l'anneau de serrage (10) autour du bord supérieur du récipient (ne pas coincer le câble de secteur !) et assembler.
 - Emboîter les crochets de fermeture (35).
 - Faire glisser le verrou de blocage (36).



Nettoyage des éponges filtrantes

La fonction Easy-Clean (actionner la poignée de nettoyage et rinçage avec de l'eau) vous permet de nettoyer facilement les éponges filtrantes, l'appareil UVC et le carter d'eau UVC.

- Retirer le bouchon du tuyau d'écoulement ou du manchon d'écoulement d'eau sale (7). Attention : ne pas perdre le joint inséré dans le bouchon !
 - Placer le commutateur de fonction (5) dans le sens anti-horaire sur "Nettoyage des éponges filtrantes" (41).
 - Pousser plusieurs fois avec force la poignée de nettoyage (3) vers le haut puis appuyer vers le bas jusqu'à la butée ("pomper").
 - Les éponges filtrantes sont rincées.
- Dès que vous ne voyez plus que de l'eau propre passer par l'embout de tuyau clair (20), placer le commutateur de fonction (5) dans le sens anti-horaire sur "Nettoyage UVC" (42).
- Dès que vous ne voyez plus que de l'eau propre passer par l'embout de tuyau clair (20), placer le commutateur de fonction (5) dans le sens anti-horaire sur "Filtration d'eau" (40).
 - L'appareil filtre l'eau du bassin/de l'étang.
 - Refermer le tuyau d'écoulement ou le manchon d'écoulement d'eau sale (7) avec le bouchon (insérer le joint d'étanchéité !) (Voir Montage).



Questions, problèmes, pièces manquantes ?

Avant de retourner chez votre détaillant, appelez au 1 866 627-3435, entre 8 h et 18 h, heure de l'Est, ou encore envoyez-nous un courriel à l'adresse customer-care@oase-livingwater.com. Vous pouvez aussi consulter notre site web au www.oase-livingwater.com

Nettoyer le verre de quartz / Remplacer la lampe UVC

⚠ Attention ! Rayons ultraviolets.
Conséquences possibles : risque de blessures aux yeux ou à la peau par brûlure.

Mesures de protection :

- Ne jamais faire fonctionner la lampe UVC en dehors du boîtier.
- Ne jamais faire fonctionner la lampe UVC dans un boîtier défectueux.

⚠ Danger : rayonnement ultraviolet.
 Ne jamais exposer les yeux au rayonnement de la lampe.
 Toujours couper l'alimentation électrique avant l'entretien ou le remplacement de la lampe.
 Remplacer la lampe uniquement par une lampe d'une puissance de 9 Watts.

Avertissement : pour réduire le risque de décharge électrique - raccorder uniquement à un circuit électrique protégé par un disjoncteur à courant de défaut. (disjoncteur FI)

Pour usage domestique, à l'intérieur et à l'extérieur.

⚠ Attention ! Verre fragile.
Conséquences possibles : Blessure aux mains par coupure.
Mesures de protection : manipuler le verre de quartz et la lampe UVC avec précaution.

- Mettre la pompe de filtration hors circuit et débrancher l'appareil UVC
- Retirer la tête de l'appareil UVC (Voir **Nettoyage et entretien** Retirer/insérer la tête de l'appareil UVC).
- Contrôler la présence éventuelle de dommages sur le tube en verre à quartz et sur le joint torique, le cas échéant les remplacer.
- Nettoyer l'extérieur du tube en verre à quartz avec un chiffon humide.
- Insérer la tête de l'appareil UVC (Voir **Nettoyage et entretien** Retirer/insérer la tête de l'appareil UVC).
- Mettre la pompe de filtration en circuit.
- Mettre l'appareil UVC en circuit.

⚠ Attention ! Tension électrique dangereuse !
Conséquences éventuelles : mort ou blessures graves.
Mesures de protection : Avant d'exécuter des travaux sur l'appareil, couper la tension du secteur.

Nettoyage de l'appareil et lavage ou remplacement des éponges filtrantes

- Mettre la pompe de filtration hors circuit.

A. Retirer tous les tuyaux, les raccords de tuyau.

• Retirer la tête de l'appareil UVC (Voir **Nettoyage et entretien** Retirer/insérer la tête de l'appareil UVC).

• Ouvrir le récipient (Voir **Nettoyage et entretien** ouverture du récipient).

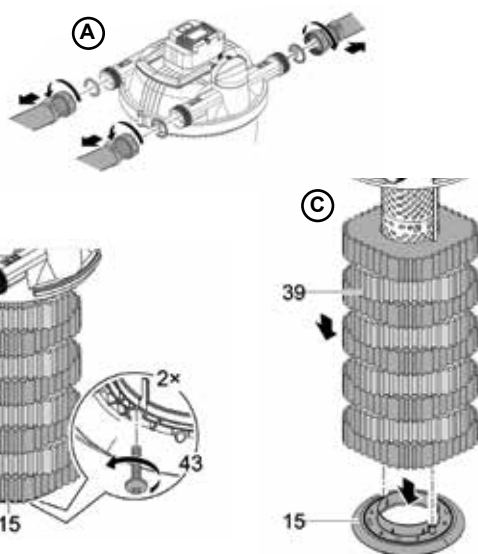
Démontage des éponges filtrantes

- Contrôler les éponges filtrantes et les laver ou les remplacer.

B. Retirer le disque du filtre (15) après avoir desserré et retiré les deux vis (43).

C. Soulever le couvercle avec les éponges filtrantes (39).

- Le déposer sur une surface souple et propre en tournant les éponges filtrantes avec le disque de fixation (15) vers le haut.



Nettoyage des pièces

(Référence **Structure de l'appareil**)

- Nettoyer, à l'aide d'un jet d'eau puissant et dans toutes les directions, le récipient, l'anneau de serrage, le couvercle (retirer la tête de l'appareil UVC !) ainsi que le carter d'eau UVC et le tube grillagé.
- Le cas échéant, laver les éponges une à une en les serrant sous l'eau courante.

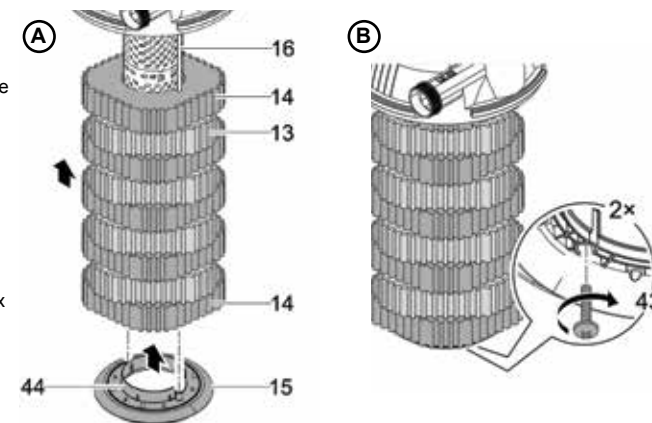
Montage des éponges filtrantes :

A. Faire glisser en alternance tout d'abord l'éponge filtrante bleue (14), puis l'éponge filtrante rouge (13) sur les tiges de nettoyage (16) de manière à ce que les tiges de nettoyage se trouvent dans les deux ouvertures.

- Sur la dernière éponge filtrante, placer le disque de fixation (15) avec le rebord (44) tourné vers les éponges.

B. Fixer le disque de fixation avec les deux vis (43) sur les tiges de nettoyage.

• Rétablir tous les raccords (Voir **Montage**).



Remplacement de la lampe UVC

⚠ Attention ! Rayons ultraviolets.
Conséquences possibles : risque de blessures aux yeux ou à la peau par brûlure

Mesures de protection :

- Ne jamais faire fonctionner la lampe UVC en dehors du boîtier.
- Ne jamais faire fonctionner la lampe UVC dans un boîtier défectueux.

⚠ Danger : rayonnement ultraviolet.
 Ne jamais exposer les yeux au rayonnement de la lampe.
 Toujours couper l'alimentation électrique avant l'entretien ou le remplacement de la lampe.

Avertissement : pour réduire le risque de décharge électrique - raccorder uniquement à un circuit électrique protégé par un disjoncteur à courant de défaut. (disjoncteur FI)

⚠ Attention ! Verre fragile.
Conséquences possibles : Blessure aux mains par coupure.
Mesures de protection : manipuler le verre de quartz et la lampe UVC avec précaution.

ℹ Remarque !
 • De l'eau de condensation peut apparaître dans le tube de verre à quartz. Cette eau de condensation est inévitable et n'a aucune influence sur le fonctionnement, ni sur la sécurité.

- Le tube de verre à quartz peut être égratigné ou devenir opaque avec le temps. Dans ce cas, la lampe UVC n'est plus en mesure de garantir un nettoyage suffisant. Le tube de verre à quartz doit être remplacé.
- La lampe UVC doit être remplacée après env. 8000 heures de service. N'employer que des lampes UVC dont la désignation et la puissance correspondent aux indications fournies sur la plaque signalétique.

Questions, problèmes, pièces manquantes ?

Avant de retourner chez votre détaillant, appelez au 1 866 627-3435, entre 8 h et 18 h, heure de l'Est, ou encore envoyez-nous un courriel à l'adresse customer-care@oase-livingwater.com. Vous pouvez aussi consulter notre site web au www.oase-livingwater.com

Remplacement de la lampe UVC

- Retirer la tête de l'appareil UVC (Voir **Retirer/insérer la tête de l'appareil UVC**).

A. Nettoyer l'extérieur du tube en verre à quartz (19) avec un chiffon humide.

- Desserrer la vis de fixation (46) au niveau de l'anneau de maintien (45) et dévisser l'anneau de maintien.
- Retirer le tube en verre à quartz avec joint torique (47).

B. Sortir la lampe UVC (49) du culot de la lampe

- Retirer les sécurités de transport (48 et 50) de la lampe UVC et les faire glisser sur la nouvelle lampe UVC.

- Insérer la nouvelle lampe UVC.

C. Remettre le tube en verre à quartz (19) sur la lampe UVC (49).

- Refaire glisser le joint torique (47) et l'anneau de maintien (45) sur le tube en verre à quartz.

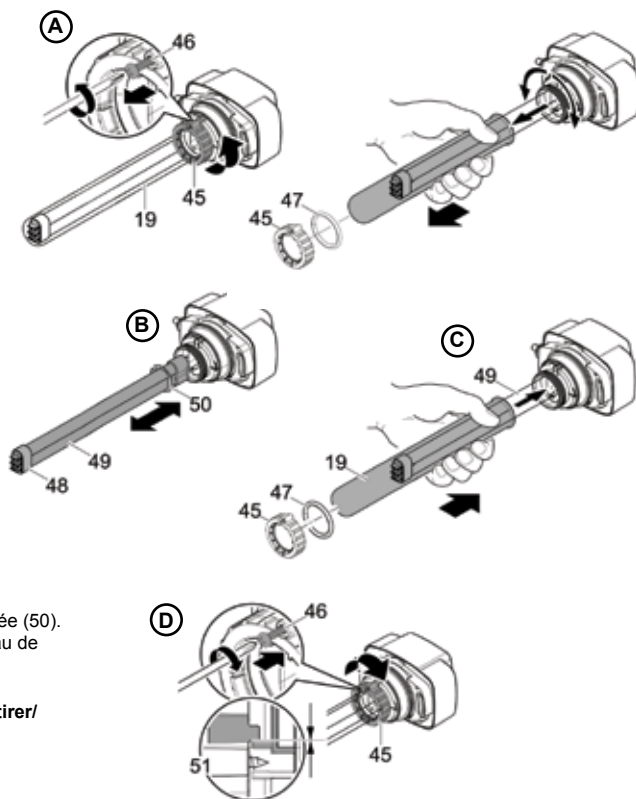
D. Tourner l'anneau de maintien jusqu'à la butée (50).

- Serrer la vis de fixation (46) pour l'anneau de maintien.

- Ré-insérer la tête de l'appareil UVC (Voir **Retirer/insérer la tête de l'appareil UVC**).

- Mettre la pompe de bassin en circuit.

- Brancher la prise de secteur de l'appareil UVC.



Mise hors service/stockage/entreposage pour l'hiver

- Débranchez le cordon d'alimentation de l'unité UVC.
- Débranchez les tuyaux des raccords d'entrée et de sortie
- Vider / vider le récipient en inclinant l'unité sur le côté pour permettre à l'eau de s'écouler hors des zones de raccordement des entrées et des sorties.
- Si le filtre de dérivation est en dérivation, connecter les tuyaux d'entrée et de sortie ensemble pour continuer à faire fonctionner la pompe dans le bassin.

Pièces d'usure

La lampe UVC, le verre à quartz et les mousses de filtration sont des pièces d'usure et ne sont pas couvertes par la garantie.

Élimination : Appareil de clarification UVC et Lampe UVC

- Ne pas jeter cet appareil avec les déchets domestiques ! Désactiver préalablement l'appareil en coupant les câbles.
- On peut obtenir plus d'informations sur le recyclage de ce produit auprès des autorités municipales.

Élimination : Emballage, Éponges filtrantes, joints usés et Récipient pour filtre

Vous pouvez éliminer ces composants avec les ordures ménagères. On peut obtenir plus d'informations sur le recyclage de ce produit auprès des autorités municipales.

Dépannage

Problème	Cause	Solution
Aucun débit d'eau au travers du manchon de reflux	La pompe n'est pas en circuit.	Mettre la pompe de filtration en circuit
	Conduites d'aménée bouchées	Contrôler les conduites d'aménée
	Le sélecteur de fonction est sur "Filtration d'eau"	Positionner le sélecteur de fonction sur "Filtration d'eau"
Le témoin de la lampe UVC ne s'allume pas.	Le raccordement est défectueux ou n'a pas été effectué	Contrôler le raccordement (prise de secteur, fusible de secteur)
	La lampe UVC est défectueuse	Remplacer la lampe UVC
	Le tube en verre à quartz n'est pas installé	Monter le tube en verre à quartz
Puissance de filtration insatisfaisante	Le sélecteur de fonction est sur "Filtration d'eau"	Positionner le sélecteur de fonction sur "Filtration d'eau"
	L'appareil est en circuit pendant une période trop courte	Attendre encore quelques jours/semaines
	L'eau est extrêmement sale	Attendre encore quelques jours/semaines
	La quantité de poissons et d'animaux est trop élevée	Respecter les valeurs de référence
	Les éponges filtrantes sont encrassées	Nettoyer les éponges filtrantes
	Tube en verre à quartz encrassé	Nettoyer le tube en verre à quartz
Lampe UVC en exploitation pendant plus de 8000 heures	Remplacer la lampe UVC	

Pièces de rechange

L'appareil continue de fonctionner de manière fiable et sécurisée avec des pièces originales d'OASE. Vous trouverez nos pièces de rechange et leurs schémas sur notre site internet www.oase-livingwater.com

Questions, problèmes, pièces manquantes ?

Avant de retourner chez votre détaillant, appelez au 1 866 627-3435, entre 8 h et 18 h, heure de l'Est, ou encore envoyez-nous un courriel à l'adresse customer-care@oase-livingwater.com. Vous pouvez aussi consulter notre site web au www.oase-livingwater.com

RECORDATORIO

LLAME AL 1-866-627-3435
ANTES DE REGRESAR A LA TIENDA.


Información sobre estas instrucciones de operación


Bienvenido a Agua Viva de OASE. Hizo una excelente decisión al comprar este producto de **FiltoClear 3000 / 4000 / 8000**. Antes de poner la unidad en operación, por favor lea las instrucciones de uso cuidadosamente y completamente para conocer la unidad. Asegúrese que cualquier trabajo en y con esta unidad esté en concordancia con estas instrucciones. Por favor, sigue estrictamente las instrucciones incluidas para lograr manejo seguro y adecuado del producto. Mantenga estas instrucciones en un lugar seguro. Por favor, incluye las instrucciones al pasar la unidad a un dueño nuevo.


⚠ SÍMBOLOS DE ADVERTENCIA Y PRECAUCIÓN


Símbolos utilizados en estas instrucciones

Los símbolos usados en este manual de operación tienen los siguientes significados:

 Riesgo de lesión en personas a razón de voltaje eléctrico peligroso.
Este símbolo indica un peligro inminente, el cual puede llevar a la muerte o lesiones graves en caso de no tomar las medidas apropiadas.

 Riesgo de lesión personal causado por una fuente general de peligro.
Este símbolo indica un peligro inminente, el cual puede llevar a la muerte o lesiones graves en caso de no tomar las medidas apropiadas.

 Riesgo de lesiones debido a la rotura de cristales.
Este símbolo indica peligro, lo cual puede conducir a graves lesiones si no se toman las medidas oportunas.

 Información importante para garantizar operación sin problemas.

Uso conforme a lo prescrito


FiltoClear 3000 / 4000 / 8000, en lo sucesivo, "el equipo", solo puede utilizarse de la siguiente manera:

- Para la limpieza mecánica y biológica de estanques de jardín
- Operación observando los datos técnicos.

La lámpara UVC montada en el unidad sirve para matar las algas y bacterias en el agua de estanque. Su radiación es peligrosa para los ojos y la piel, también en pequeñas dosificaciones. La lámpara UVC nunca se debe emplear en una carcasa defectuosa o fuera de su carcasa o para otros fines.

Para el equipo son válidas las siguientes limitaciones:







- Está prohibido filtrar otros líquidos distintos del agua.
- No opere nunca sin circulación de agua.
- No emplee el equipo para fines industriales.
- No emplee el equipo en combinación con productos químicos, alimentos y sustancias fácilmente inflamables o explosivos.

 **¡Importante!** Por ninguna razón se debe rebosar el filtro. Existe peligro de que se vacíe el estanque.

Uso no conforme a lo prescrito

Si no se cumplen las indicaciones contenidas en estas instrucciones de uso expira todo tipo de garantía y responsabilidad y se pueden producir peligros para las personas.

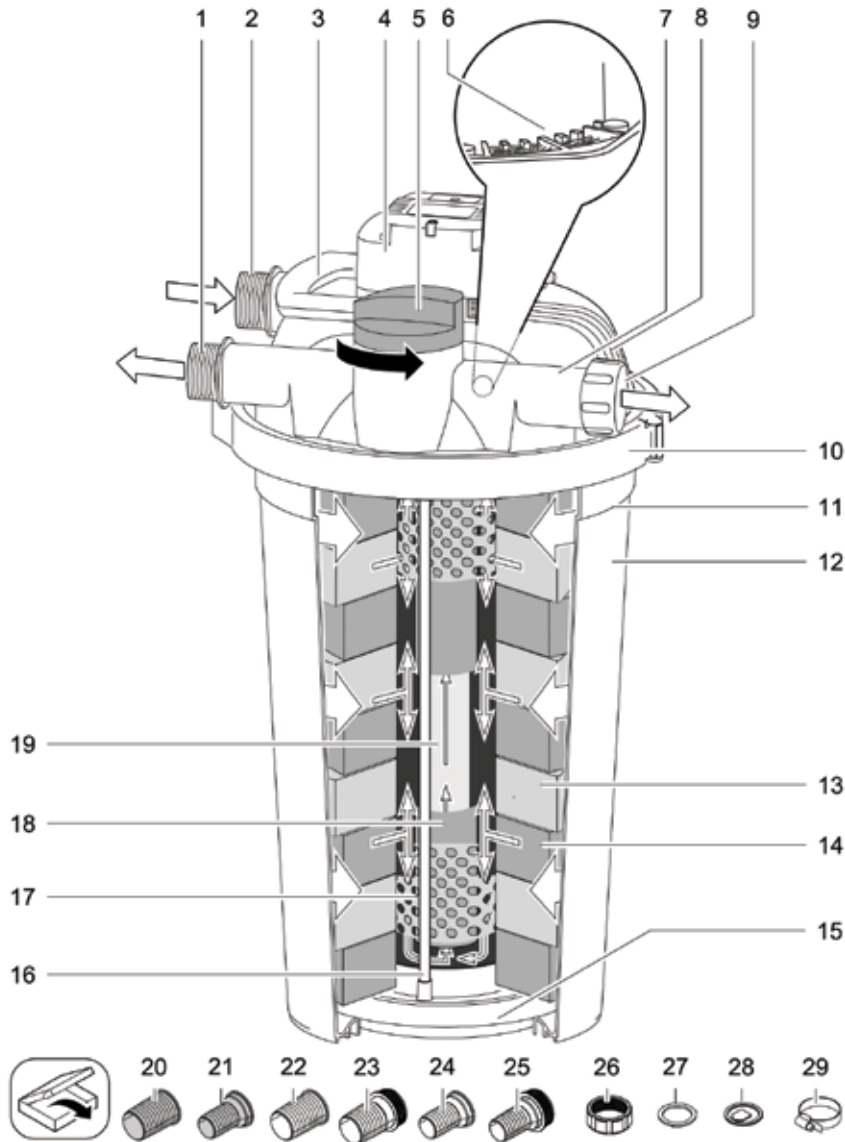
Estructura del equipo

Parte	Descripción	
1		Racor de retorno del agua, para el retorno del agua de estanque purificada
2		Racor de entrada de agua, para la entrada del agua de estanque sucia
3	Empuñadura de limpieza, tirando hacia arriba se comprimen las esponjas de filtrado	
4	Cabeza del equipo UVC con controlador de temperatura, soporte y mirilla para la lámpara UVC. Desconexión automática de la lámpara UVC si está muy caliente, reconexión después del enfriamiento.	
5	Conmutador de función para conmutar la circulación de agua. Girar en sentido antihorario Hay 3 posiciones.	
		I: Filtrar agua y UV
		II: Limpiar las esponjas ("Tecnología Easy-Clean")
		III: Enjuagar el equipo UVC y la carcasa de agua UVC
6	Bypass, optimiza el efecto de la radiación UVC con una circulación alta	
7		Racor de salida de agua sucia, para la salida del agua sucia
8	Tapa de filtro	
9	Tapa de cierre con junta plana negra insertada	
10	Anillo de sujeción, une la tapa de filtro y el recipiente	
11	Escalón, para marcar la profundidad de montaje máxima	
12	Recipiente, está bajo presión (máx. 2.9 psi / 0,2 bar)	
13	Esponja de filtrado fina para nitrificación y desnitrificación	
14	Esponja de filtrado gruesa para la nitrificación	
15	Disco de fijación, mantiene las esponjas de filtrado en las barras de limpieza	
16	Barra de limpieza, une la empuñadura de limpieza y el disco de filtrado	
17	Tubo de rejilla, separa las esponjas de filtrado de la carcasa de agua UVC	
18	Carcasa de agua UVC, guía el agua al equipo UVC	
19	Tubo de cuarzo fundido con lámpara UVC	
20	50 mm conector de manguera transparente	
21	38 mm conector de manguera transparente	
22	50 mm conector de manguera negra	
23	50 mm conector de manguera negra	
24	38 mm conector de manguera negra	
25	38 mm conector de manguera con rosca de 50 mm	
26	tuerca racor	
27	junta plana	
28	medidor de paso	
29	Abrazadera de manguera	

¿Preguntas, problemas, partes faltantes?

Antes de regresar con su vendedor, llame al 1-866-627-3435 de 8 am a 6 pm, hora del este, de lunes a viernes, o envíenos un correo electrónico a customercare@oase-livingwater.com. O visite nuestra página web www.oase-livingwater.com

Estructura del equipo

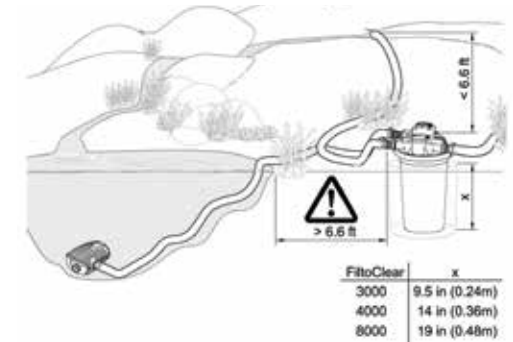


Descripción del funcionamiento

Fase de limpieza "Filtrar": El agua fluye por las esponjas de filtrado. Las esponjas de filtrado retienen la suciedad mecánica. Las partículas en suspensión y el cieno activado bajan al fondo del recipiente. Bacterias útiles habitan en las esponjas de filtrado y limpian el agua de forma biológica. Su actividad empieza a partir de una temperatura del agua de 50 °F (+ 10 °C).

Descripción del funcionamiento

Una bomba de filtro presiona el agua en un recipiente hermético en el cual pasa por diferentes fases de limpieza y retorna después al estanque. El agua sucia que surge durante la limpieza del equipo se puede utilizar para fertilizar el jardín.



Esponjas de filtrado gruesas (azul)	Esponjas de filtrado finas (rojo)
alta velocidad de circulación	más baja velocidad de circulación
Bacterias para la nitrificación	Bacterias para la nitrificación y la desnitrificación
Conversión de amonio ->nitrito ->nitrato	Conversión de nitrato ->nitrógeno

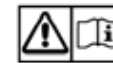
Fase de limpieza "Radiar": El agua se somete a la luz ultravioleta de una lámpara UVC. Las algas en suspensión se destruyen y los agentes patógenos se eliminan.
 Bypass: Un bypass garantiza que la radiación influya sólo en una parte del agua que retorna (aprox. 25 %) para lograr una duración de la radiación suficiente también con una alta circulación.
 Activador de filtrado: El equipo alcanza su pleno efecto limpiador biológico sólo después de algunas semanas. La adición de bacterias activadoras de filtrado acelera considerablemente la colonización de las esponjas de filtrado por bacterias de filtrado (no incluido).

OASE recomienda:

- como valor orientativo para los peces en el estanque: longitud de todos los peces en 1 m³ de agua de estanque máx. aprox. 60 cm.
- como bomba de estanque para FiltoClear 3000: bomba máx. 8000 l/h
- como bomba de estanque para FiltoClear 4000: bomba máx. 10000 l/h
- como bomba de estanque para FiltoClear 8000: bomba máx. 16000 l/h

Símbolos en el equipo

Los símbolos de aviso en el equipo tienen el siguiente significado:



Peligro de daños de personas si el equipo no se usa conforme a lo prescrito

El uso incorrecto del equipo puede provocar daños de personas o daños materiales. Es imprescindible leer las instrucciones de uso antes de utilizar el equipo.



Peligro de daños de personas por una fuente de peligro general

Radiación UVC peligrosa. Peligro para los ojos y la piel por deslumbrado. Operar la lámpara UVC sólo en la carcasa.

Los símbolos de uso en el equipo tienen el siguiente significado:



Protegido contra el contacto con las partes peligrosas. Protegido contra chorros de agua.



Proteger contra la radiación solar directa.



Desinstalar en caso de heladas.

¿Preguntas, problemas, partes faltantes?

Antes de regresar con su vendedor, llame al 1-866-627-3435 de 8 am a 6 pm, hora del este, de lunes a viernes, o envíenos un correo electrónico a customercare@oase-livingwater.com. O visite nuestra página web www.oase-livingwater.com

Emplazamiento

- Distancia del equipo al agua: mín. 2 m (distancia de seguridad).
- No exponga el equipo a la radiación solar directa.
- Punto de retorno del agua. OASE recomienda: Tienda la manguera de retorno de forma que el agua purificada retorne indirectamente al estanque, por ejemplo a través de un riachuelo, para que aumente el contenido de oxígeno.
- Diferencia de altura entre la tapa de filtro y el punto de retorno del agua: máx. 2 m

Posibilidad de emplazamiento 1: Enterrar cerca del estanque.

Excave un hueco cerca del estanque y hunda el equipo hasta la marca. (Ver diagrama de descripción de funciones)

Posibilidad de emplazamiento 2: Emplazar cerca del estanque.

Place the unit close to the pond where it is flood protected (e.g. hidden behind shrubs). The ground must be firm and level.

Conexión de una bomba de filtro

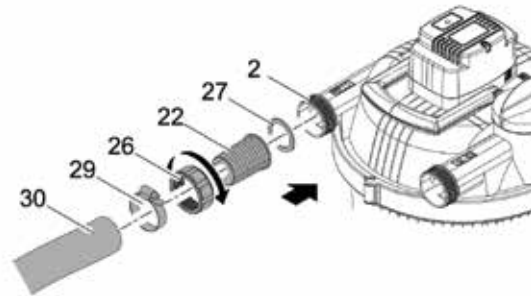
Para la operación del filtro de presión se requiere una bomba de filtro. La conexión a la bomba sólo es posible a través de mangueras de presión que están autorizadas como mínimo para 2.9 psi (0.2 bar) o la presión máxima de la bomba. Al equipo se pueden conectar mangueras con un diámetro interior de 38 mm o 50 mm.

Montaje

Al equipo se pueden conectar mangueras de 38 mm o de 50 mm". El suministro incluye las correspondientes boquillas de mangueras. Recomendación: Utilice mangueras de 2" para transportar el agua por la tuberías con una pérdida de presión mínima. En caso que emplee un activador de filtrado llene el recipiente con este agente antes de ejecutar los siguientes pasos de montaje (Ver **puesta en marcha**).

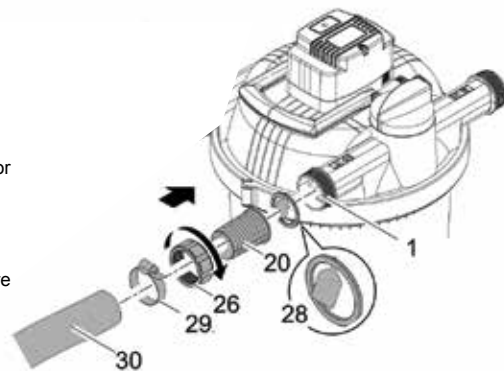
Montaje de la unidad de entrada del agua

- Ponga la tuerca racor (26) en la boquilla de manguera negra (22).
- Coloque la junta plana (27) en la tuerca racor (26).
- Fije la boquilla de manguera con la tuerca racor en el racor de entrada de agua (2).
- Coloque la abrazadera de manguera (29) en la manguera (30).
- Coloque la manguera en la boquilla de manguera (hasta el tope) y asegúrela con la abrazadera.



Montaje de la unidad de retorno del agua

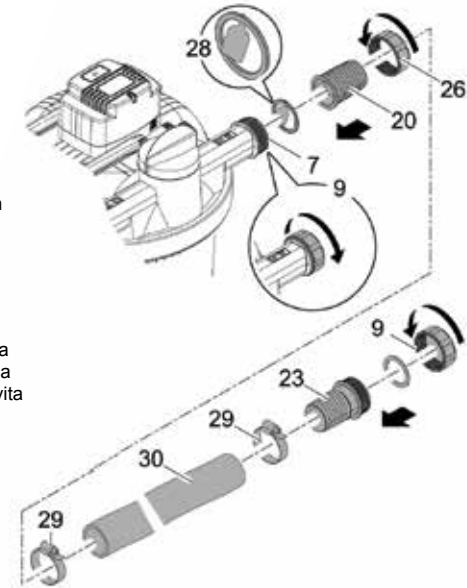
- Coloque la tuerca racor (26) en la boquilla de manguera transparente (20).
- Coloque el medidor de paso (28) en la tuerca racor.
- Fije la boquilla de manguera con la tuerca racor en el racor de retorno de agua (1).
- Coloque la abrazadera de manguera (29) en la manguera (30).
- Coloque la manguera en la boquilla de manguera y asegúrela con la abrazadera. Deje el último segmento libre como mirilla para la circulación y la suciedad



Montaje de la unidad de salida de agua sucia

El agua sucia que surge durante la limpieza del equipo se puede utilizar para fertilizar. Recomendación: Conecte una manguera de salida apropiada (no incluida en el suministro) y tiéndala hasta un punto adecuado (p. ej. un arriate). Proceda de la forma siguiente:

- Desensrosque la tapa de cierre (9) del racor de salida de agua sucia (7).
- Coloque la tuerca racor (26) en la boquilla de manguera transparente (20).
- Coloque el medidor de paso (28) en la tuerca racor.
- Fije la boquilla de manguera con la tuerca racor en el racor.
- Coloque la abrazadera de manguera (29) en la manguera (30).
- Coloque la manguera en la boquilla de manguera y asegúrela con la abrazadera. Deje el último segmento libre como mirilla para la circulación y la suciedad



Cierre de la unidad de salida de agua sucia

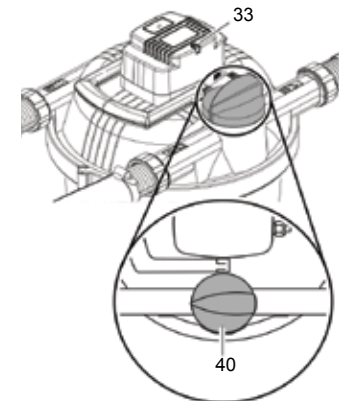
i Nota:
Durante el filtrado el racor de agua sucia (7) o una manguera (30) conectada en este racor siempre tiene que estar cerrada con una tapa de cierre (9) con junta plana insertada. Esto evita una vaciado no intencionado del estanque.

- Coloque la abrazadera de manguera (29) en la manguera (30).
- Ponga la boquilla de manguera (23) en la manguera y asegúrela con la abrazadera.
- Cierre la boquilla de manguera con la tapa de cierre y la junta plana insertada (9).

Puesta en marcha

⚠ ¡Atención! Componentes eléctricos sensibles
Posible consecuencia: Destrucción del equipo.
Medida de protección: No conecte el equipo a una alimentación de corriente con regulación de voltaje.

- Monte las conexiones (Ver **Montaje**).
- Controle el asiento fijo de las mangueras, la tapa de cierre para la salida del agua sucia, el anillo de sujeción con el pasador de seguridad.
- Ponga el conmutador de función a "Filtrar agua" (40) si fuera necesario.
- Conecte la bomba de estanque..
- Conecte el equipo UVC sólo cuando haya circulación de agua. Espere 24 horas si fuera necesario. Enchufe la clavija de red en el tomacorriente. El equipo UVC se conecta inmediatamente cuando se ilumina el LED azul (33).



¿Preguntas, problemas, partes faltantes?

Antes de regresar con su vendedor, llame al 1-866-627-3435 de 8 am a 6 pm, hora del este, de lunes a viernes, o envíenos un correo electrónico a customercare@oase-livingwater.com. O visite nuestra página web www.oase-livingwater.com

Funcionamiento

El equipo no tiene ninguna función biológica a temperaturas del agua por debajo de 50 °F (10 °C). El equipo se tiene que poner fuera de servicio si la temperatura del agua baja por debajo de 46 °F (8 °C) o a más tardar cuando se espen heladas. Estado de servicio normal: El equipo UVC está conectado. La lámpara UV-C se tiene que sustituir después de unas 8.000 horas de servicio.

Limpieza y mantenimiento



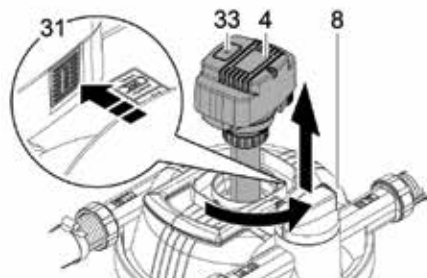
¡Atención! Tensión eléctrica peligrosa.

Posibles consecuencias: La muerte o lesiones graves.

Medidas de protección: Antes de realizar trabajos en el equipo desconecte la tensión de alimentación.

Desmontaje de la cabeza del equipo UVC

- Desenchufe la unidad UVC
- Pulse la tecla azul "Press" (31) en la cabeza del equipo UVC (4).
- Gire la cabeza del equipo UVC ligeramente en sentido antihorario.
- Saque la cabeza del equipo UVC cuidadosamente de la tapa del filtro (8).



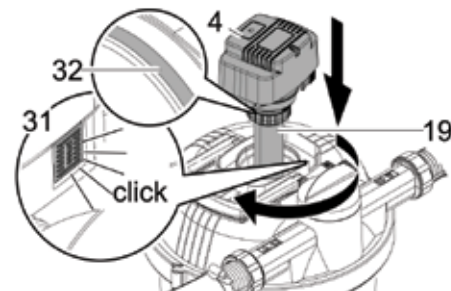
Colocación de la lámpara UVC



Nota

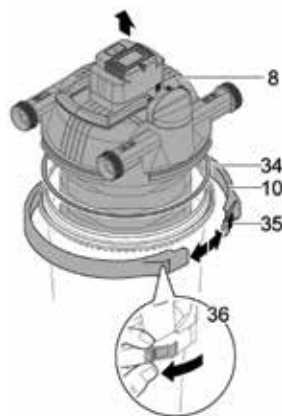
La junta tórica (36) en el cierre de la carcasa de agua UVC (4) está sujeta de forma fija. Quite la junta tórica sólo en caso que se tenga que sustituir (p. ej. si está porosa).

- Coloque la cabeza del equipo UVC (4) cuidadosamente en la tapa del filtro.
- Gire la cabeza del equipo UVC en el sentido horario hasta el tope. La tecla azul "Press" se enclava (31).



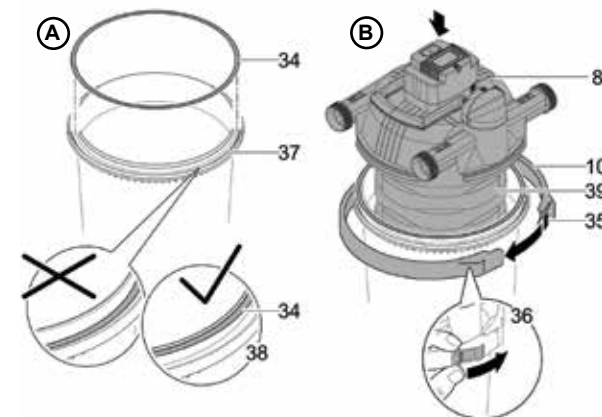
Abertura del recipiente

- Desplace el pasador de seguridad hacia atrás (36).
- Presione el gancho de cierre (35) hacia adentro.
- Abra y saque el anillo de sujeción (10)



Cierre del recipiente

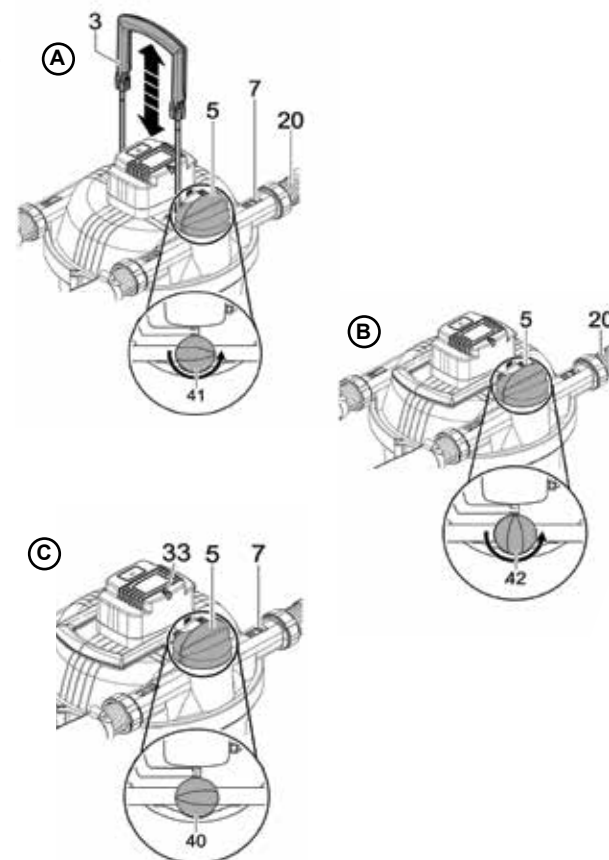
- Limpie la canaleta (37) alrededor del borde del recipiente.
 - Engrase la junta de la tapa (34) y colóquela a ras con el borde superior del recipiente (38).
- Presione la tapa del filtro (8) con el paquete de esponjas de filtrado (39) en el recipiente, si fuera necesario ejerciendo presión con el peso de su cuerpo.
 - Coloque el anillo de sujeción (10) alrededor del borde superior del recipiente (no bloquee el cable de red) y únalo.
 - Enclave el gancho de cierre (35).
 - Introduzca el pasador de seguridad (36).



Limpieza de las esponjas de filtrado

Con la función Easy-Clean (accione la empuñadura de limpieza y enjuague con agua) se limpian las esponjas de filtrado, el equipo UVC y la carcasa de agua UVC.

- Quite la tapa de cierre de la manguera de salida o del racor de salida de agua sucia (7). Atención: ¡No pierda la tapa insertada en la junta!
 - Ponga el conmutador de función (5) en sentido antihorario a "Limpiar esponjas de filtrado" (41).
 - Tire la empuñadura de limpieza (3) varias veces fuertemente hacia arriba y presione otra vez hacia abajo hasta el tope ("bompear").
 - Las esponjas de filtrado se enjuagan.
- As soon as only clean water appears in the transparent hose connector (20), turn the function switch (5) counter-clockwise to "Cleaning UVC" (42).
- The UVC unit and the UVC water housing are flushed.
- Cuando en la boquilla de manguera transparente (20) sólo se vea agua limpia gire el conmutador de función (5) en sentido antihorario a "Limpiar UVC" (40).
 - El equipo filtra el agua del estanque.
 - Cierre la manguera de salida y/o el racor de salida de agua sucia (7) con la tapa de cierre (coloque el anillo de junta) (Ver **Montaje**).



¿Preguntas, problemas, partes faltantes?

Antes de regresar con su vendedor, llame al 1-866-627-3435 de 8 am a 6 pm, hora del este, de lunes a viernes, o envíenos un correo electrónico a customer@oase-livingwater.com. O visite nuestra página web www.oase-livingwater.com

Limpieza manual del tubo de cuarzo fundido

⚠ ¡Atención! Radiación ultravioleta.
Posibles consecuencias: Lesión de los ojos o la piel por quemadura.

Medidas de protección:

- No opere nunca la lámpara UVC fuera de la carcasa.
- No opere nunca la lámpara UVC en una carcasa defectuosa.

⚠ Peligro: La radiación ultravioleta.
 No exponga los ojos a los rayos de luz.
 Desconectar la alimentación antes de hacer mantenimiento o sustitución de lámpara.
 Sustituya la lámpara sólo con lámpara de 9 vatios nominal:

PRECAUCIÓN: Para reducir el riesgo de descarga eléctrica - sólo se conectan a un circuito que esté protegido por un interruptor de circuito de falla a tierra (GFCI)

🍷 ¡Atención! Vidrio frágil
Posibles consecuencias: Lesiones en las manos causadas por cortes
Medidas de protección: Manipule con cuidado el vidrio de cuarzo y la lámpara UVC.

- Desconecte la bomba de filtro y desenchufe la unidad UVC.
- Saque la cabeza del equipo UVC (Ver **desmontaje/colocación de la cabeza de equipo UVC**).
- Controle si el tubo de cuarzo fundido y la junta tórica presentan daños y sustitúyalos si fuera necesario.
- Limpie el tubo de cuarzo fundido por fuera con un paño húmedo.
- Coloque la cabeza del equipo UVC (Ver **desmontaje/colocación de la cabeza de equipo UVC**).
- Conecte la bomba de filtro
- Conecte el equipo UVC.

⚠ ¡Atención! Tensión eléctrica peligrosa.
Posibles consecuencias: La muerte o lesiones graves.
Medidas de protección: Antes de realizar trabajos en el equipo desconecte la tensión de alimentación.

Limpieza del equipo y lavado o sustitución de las esponjas de filtrado

Las esponjas de filtrado se desgastan por la carga mecánica y el uso normal. OASE recomienda: Sustituya las esponjas de filtrado viejas cuando empieza la temporada.

- Desconecte la bomba de de filtro.

A. Saque todas las mangueras y uniones de mangueras.

• Saque la cabeza del equipo UVC (Ver **desmontaje / colocación de la cabeza de equipo UVC**).

• Abra el recipiente (Ver **limpieza y mantenimiento\ apertura del recipiente**).

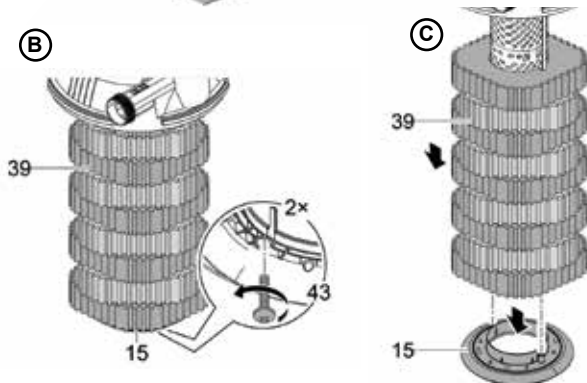


Desmontaje de las esponjas de filtrado

• Compruebe las esponjas de filtrado, lávelas o sustitúyalas.

B. Saque el disco de filtrado (15) después de soltar y quitar los dos tornillos (43).

C. Quite la tapa con el paquete de esponjas de filtrado (39).
 • colóquela sobre una base suave y limpie de forma que el paquete de las esponjas de filtrado con el disco de fijación (15) esté arriba.



Limpieza de las piezas

(Refer to **Estructura del equipo**)

- Aplique un fuerte chorro de agua desde todas las direcciones al recipiente, al anillo tensor, a la tapa (saque la cabeza del equipo UVC) con la carcasa de agua UVC y al tubo de rejilla.
- Lave las esponjas de filtrado, si fuera necesario por separado, presionándolas fuertemente bajo el agua corriente.

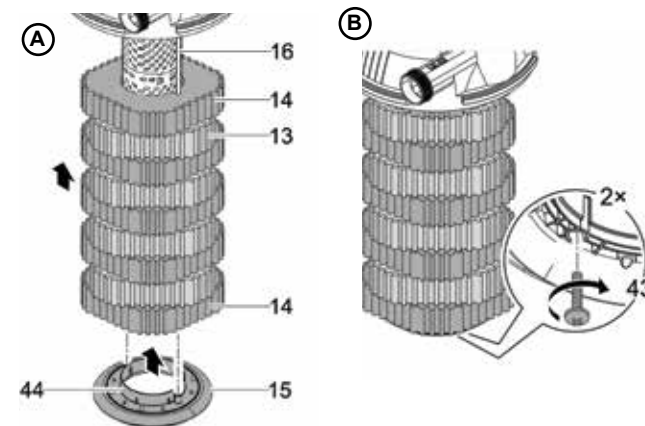
Montaje de las esponjas de filtrado

A. Coloque alternando primero la esponja de filtrado azul (14) y después la roja (13) sobre las barras de limpieza (16) de forma que las barras de limpieza queden en las dos ranuras.

- Coloque el disco de fijación (15) con el cuello (44) a las esponjas como terminación sobre la última esponja de filtrado.

B. Fije de nuevo el disco de fijación con los dos tornillos (43) en las barras de limpieza.

- Establezca de nuevo todas las conexiones (Ver **Montaje**).



Sustitución de la lámpara UVC

⚠ ¡Atención! Radiación ultravioleta.
Posibles consecuencias: Lesión de los ojos o la piel por quemadura.

Medidas de protección:

- No opere nunca la lámpara UVC fuera de la carcasa.
- No opere nunca la lámpara UVC en una carcasa defectuosa.

⚠ Peligro: La radiación ultravioleta.
 No exponga los ojos a los rayos de luz.
 Desconectar la alimentación antes de hacer mantenimiento o sustitución de lámpara

PRECAUCIÓN: Para reducir el riesgo de descarga eléctrica - sólo se conectan a un circuito que esté protegido por un interruptor de circuito de falla a tierra (GFCI)



🍷 ¡Atención! Vidrio frágil.
Posibles consecuencias: Lesión de corte en las manos.
Medidas de protección: Manipule con cuidado el vidrio de cuarzo y la lámpara UVC

📌 Nota

- En el tubo de cuarzo fundido se produce agua condensada. Esta agua condensada es inevitable y no merma el funcionamiento ni la seguridad del equipo.
- Después de cierto tiempo de uso el tubo de cuarzo fundido puede presentar arañazos o ponerse opaco. En este caso ya no cumple suficientemente la función de limpieza de la lámpara UVC. El tubo de cuarzo fundido se tiene que sustituir.
- La lámpara UVC se tiene que sustituir después de unas 8.000 horas de servicio. Sólo se deben emplear lámparas UVC cuya denominación y especificación de potencia correspondan a las especificaciones en la placa de datos técnicos.

¿Preguntas, problemas, partes faltantes?

Antes de regresar con su vendedor, llame al 1-866-627-3435 de 8 am a 6 pm, hora del este, de lunes a viernes, o envíenos un correo electrónico a customercare@oase-livingwater.com. O visite nuestra página web www.oase-livingwater.com

Sustitución de la lámpara UVC

• Saque la cabeza del equipo UVC (Ver **Desmontaje / colocación de la cabeza de equipo UVC**).

A. Limpie el tubo de cuarzo fundido (19) por fuera con un paño húmedo.

- Suelte el tornillo de fijación (46) en el anillo de sujeción (45) y destornille el anillo de sujeción.
- Saque el tubo de cuarzo fundido con la junta tórica (47).

B. Saque la lámpara UVC (49) del zócalo de la lámpara.

- Quite los seguros de transporte (48 y 50) de la lámpara UVC y desplácelos sobre la nueva lámpara UVC.

• Coloque la nueva lámpara UVC.

C. Ponga el tubo de cuarzo fundido (U 19) de nuevo sobre la lámpara UVC (49).

- Ponga la junta tórica (47) y el anillo de sujeción (45) de nuevo sobre el tubo de cuarzo fundido.

D. Atornille el anillo de sujeción hasta el tope (50).

- Apriete el tornillo de fijación (46) para el anillo de sujeción .

• Coloque de nuevo la cabeza del equipo UVC (Ver **Desmontaje / colocación de la cabeza de equipo UVC**).

• Conecte la bomba de estanque.

• Enchufe la clavija a la red del equipo UVC.

Puesta fuera de servicio / almacenamiento / conservación durante el invierno

- Desconecte el cable de alimentación de la unidad UVC
- Desconecte las mangueras de las conexiones de entrada y salida
- Vacíe / drene el contenedor inclinando la unidad hacia un lado para permitir que el agua drene fuera del área de conexión de entrada y salida
- Si el filtro de derivación conecta las mangueras de entrada y salida para continuar funcionando la bomba en el estanque

Piezas de desgaste

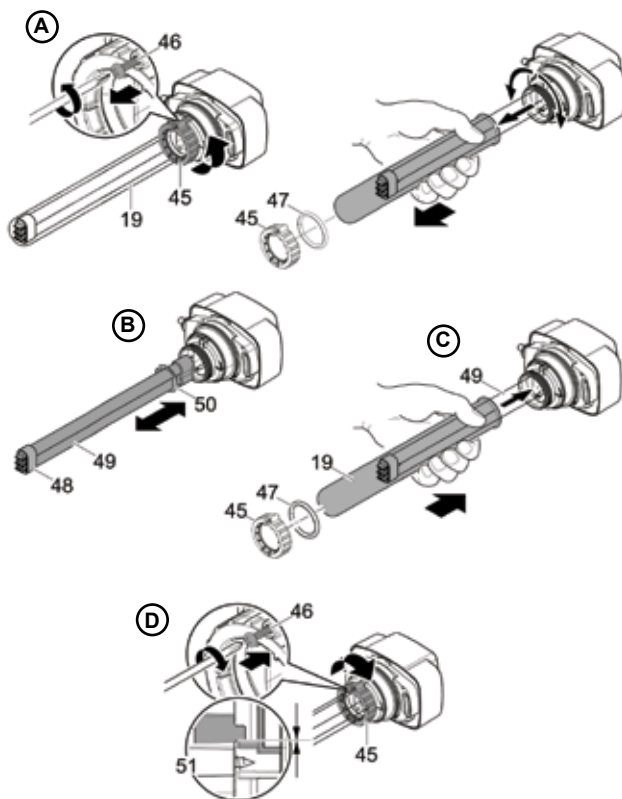
La lámpara UVC, el vidrio cuarzoso y los elementos de espuma filtrantes son piezas de desgaste y no entran en la prestación de garantía.

Desecho: Equipo clarificador UVC y Lámpara UVC

¡No deseche esta unidad en conjunto con la basura doméstica! Primero deshabilite la unidad al cortar los cables. Puede obtener información adicional sobre el reciclaje de este producto de su autoridad municipal local.

Desecho: Embalaje, Esponjas de filtrado desgastadas, juntas y Recipiente de filtro

Puede desechar estos componentes con la basura doméstica. Puede obtener información adicional sobre el reciclaje de este producto de su autoridad municipal local.



Eliminación de fallos

Fallo	Causa	Acción correctora
No fluye agua por el racor de retorno	La bomba de filtro no está conectada.	Conecte la bomba de filtro
	Líneas de alimentación obstruidas	Controle las líneas de alimentación
	El conmutador de función no se encuentra en "Filtrar agua"	Ponga el conmutador de función a "Filtrar agua"
La indicación de la lámpara UVC no se ilumina.	Conexión defectuosa o no establecida	Compruebe la conexión (clavija de red, fusible de red)
	Lámpara UVC defectuosa	Sustituya la lámpara UVC
	Tubo de cuarzo fundido no montado	Monte el tubo de cuarzo fundido
Rendimiento de filtrado no satisfactorio	El conmutador de función no se encuentra en "Filtrar agua"	Ponga el conmutador de función a "Filtrar agua"
	El equipo funciona desde hace poco tiempo.	Espere unos días/semanas
	El agua está muy sucia.	Espere unos días/semanas
	Exceso de peces y animales en el estanque	Cumpla el valor orientativo
	Las esponjas de filtrado están sucias	Limpie las esponjas de filtrado
	El tubo de cuarzo fundido está sucio	Limpie el tubo de cuarzo fundido
	La lámpara UVC ya funciona más de 8000 horas	Sustituya la lámpara UVC

Piezas de recambio

El equipo se mantiene seguro y trabaja de forma fiable con las piezas originales de OASE. Consulte los dibujos de piezas de recambio y las piezas de recambio en nuestra página web www.oase-livingwater.com

¿Preguntas, problemas, partes faltantes?

Antes de regresar con su vendedor, llame al 1-866-627-3435 de 8 am a 6 pm, hora del este, de lunes a viernes, o envíenos un correo electrónico a customercare@oase-livingwater.com. O visite nuestra página web www.oase-livingwater.com

EN	Model	Model no.	Rated voltage	Power consumption	Filter volume	UVC lamp	max. pond volume	Dimensions	Operating pressure	Connections	Water temperature	Power cord length
FR	Modèle	Numéro de modèle	Tension nominale	Consommation électrique	Volume de filtration	Lampe UVC	Volume max. de l'étang.	Dimension	La pression de fonctionnement	Branchement pour flexibles	La température de l'eau	Longueur du cordon
SP	Modelo	No. de modelo	Tensión nominal	Consumo eléctrico	Volumen de filtro	La lámpara UVC	Volumen máximo del estanque	Dimensiones	Presión de funcionamiento	Conexiones para tubería	La temperatura del agua	Longitud de cable
FiltroClear	3000	40346	120 V AC, 60 Hz	18 W / 0.2 A	3.6 gal 13.5 l	18 W TC- L(UVC)	3170 gal 12 m ³	15 x 20 in 380 x 500 mm	2.9 psi / 6.7 ft of head	1-1/2" / 2" 38 / 50 mm	min. 46 °F (+8 °C) max. 95 °F (+35 °C)	15 ft. 4.6 m
	4000	56425		24 W / 0.3 A	5 gal 18.9 l	24 W TC- L(UVC)	4200 gal 16 m ³	15 x 25 in 380 x 630 mm				
	8000	56435		55 W / 0.5 A	6.4 gal 24.3 l	55 W TC- L(UVC)	7900 gal 30 m ³	15 x 28.5 in 380 x 750 mm				



OASE North America INC. · www.oase-livingwater.com